



STOW-N-LOK P/N 1005

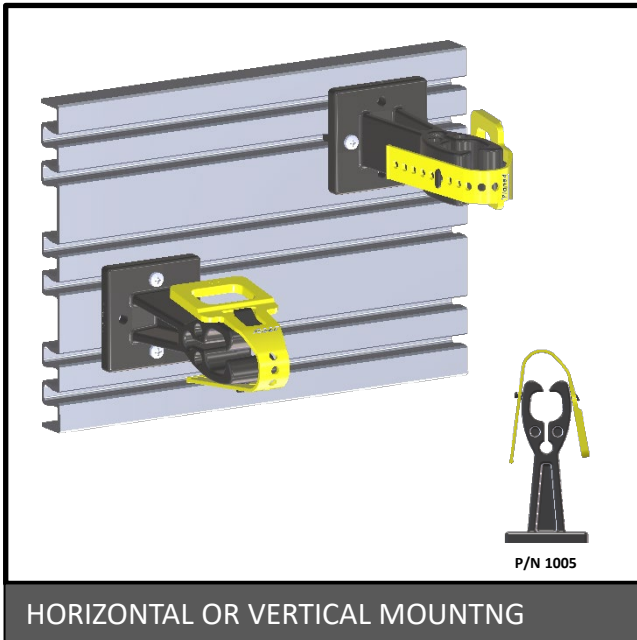
INSTALLATION INSTRUCTIONS



For additional assistance call 888-514-0083 between 8AM-5PM EST or email: info@pactoolmounts.com

CAUTION

To avoid the risk of personal injury, property damage or product damage, please use the included fasteners for mounting.

- * The bracket must be securely mounted to a stable surface and material.
- * When mounting bracket to PAC TRAC aluminum products P/N 7000, P/N 7020, P/N 7040, P/N 7050 with the included Trac Lok inserts P/N 7016, torque the screws to a maximum 15 in-lbs.
- * PAC recommends regular and frequent inspections to be certain of proper operation and installation.



MTG. HARDWARE			QTY
	P/N 2046	#10-24 x 1 S.S. Pan Head Screw	2
	P/N 7016	Trac Lok Insert	2

Stow-N-Lok is normally used in pairs

(PAC TRAC Mounting)

(Optional Mounting Method)
Fasteners Not included

