

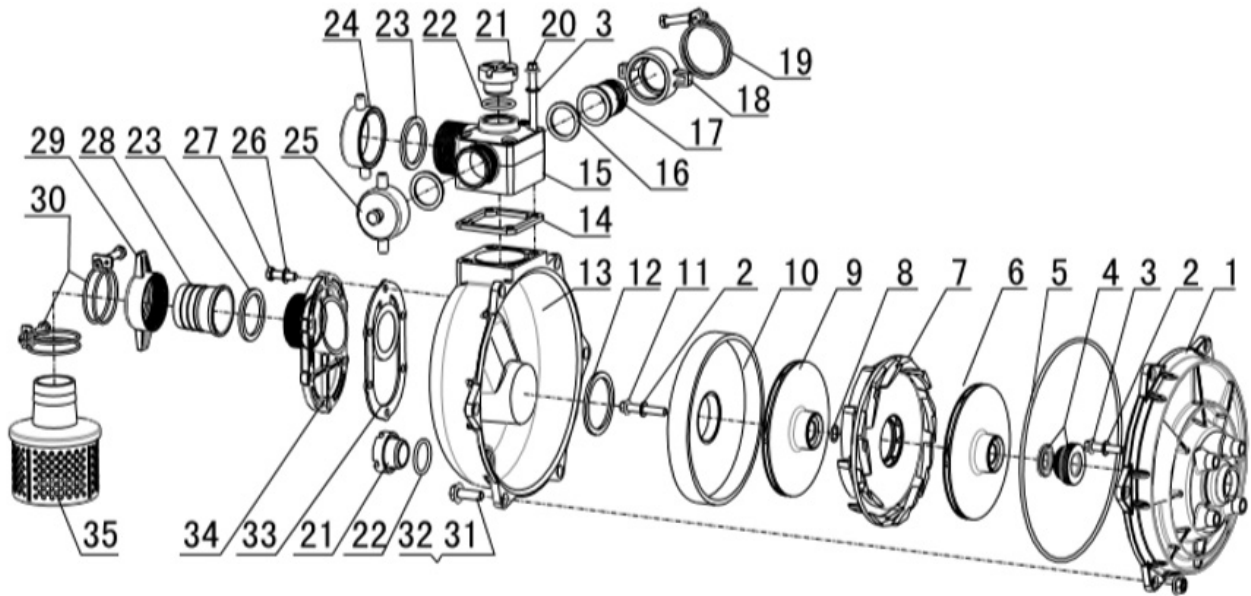


FRONTIER

# 6.5HP BUSHFIGHTER

## MEDIUM PRESSURE PUMP

### SERVICE PARTS LIST



NO.	DESCRIPTION	QTY	NO.	DESCRIPTION	QTY
1	Water Pump Cover	1	19	1.5" Clamp	2
2	Sealed Washer	5	20	Bolt	4
3	Bolt	4	21	Whorl Plug	2
4	Mechanical Seal	1	22	O-Ring	2
5	O-Ring	1	23	2" Sealing Washer	2
6	Impeller - 1	1	24	2" Spanner - 1	1
7	Diffuser	1	25	1.5" Spanner - 2	2
8	O-Ring	1	26	Washer	6
9	Impeller - 2	1	27	Bolt	6
10	Diffuser Cover	1	28	2" Pipe	2
11	Bolt	1	29	2" Spanner	2
12	Sealing Washer	1	30	2" Clamp	2
13	Pump Body	1	31	Nut	6
14	Sealing Washer	1	32	Bolt	6
15	Outlet Flange	1	33	Check Valve	1
16	1.5" Sealing Washer	2	34	Inlet Flange	1
17	1.5" Pipe	2	35	Filter Cover	1
18	1.5" Spanner	2			