



PRODUCT DATA SHEET

P/N: 1042- ADAPTER LOKS



PAC Adapter Loks keep your adapters organized and ready to use. Your adapters easily slide on and are retained by the locking feature. Simply depress the highly visible lock to remove the adapters!

FEATURES

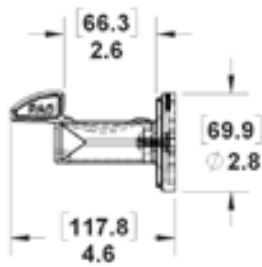
- Molded from high quality materials
- Accepts both double male and female adapters
- Weather, UV resistant
- Impact resistant
- Non-conductive

TYPICAL SPECIFICATION

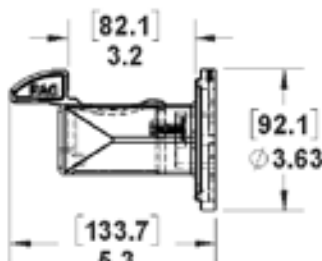
Mounting Bracket(s) shall be PAC P/N(S) 1042-1,-1D,-2,-2D.

Brackets shall be two piece construction; made from tough, corrosion free material. Hardware shall be stainless steel.

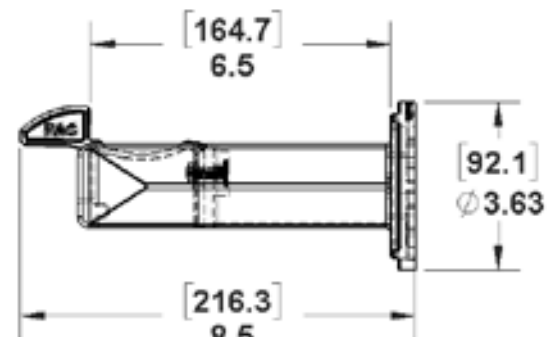
Firefighters shall be protected from conductivity.



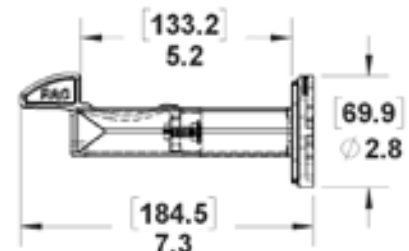
1-1/2" P/N 1042-1



2-1/2" P/N 1042-2



2-1/2" DUAL P/N 1042-2D



1-1/2" DUAL P/N 1042-1D

SPECIFICATIONS

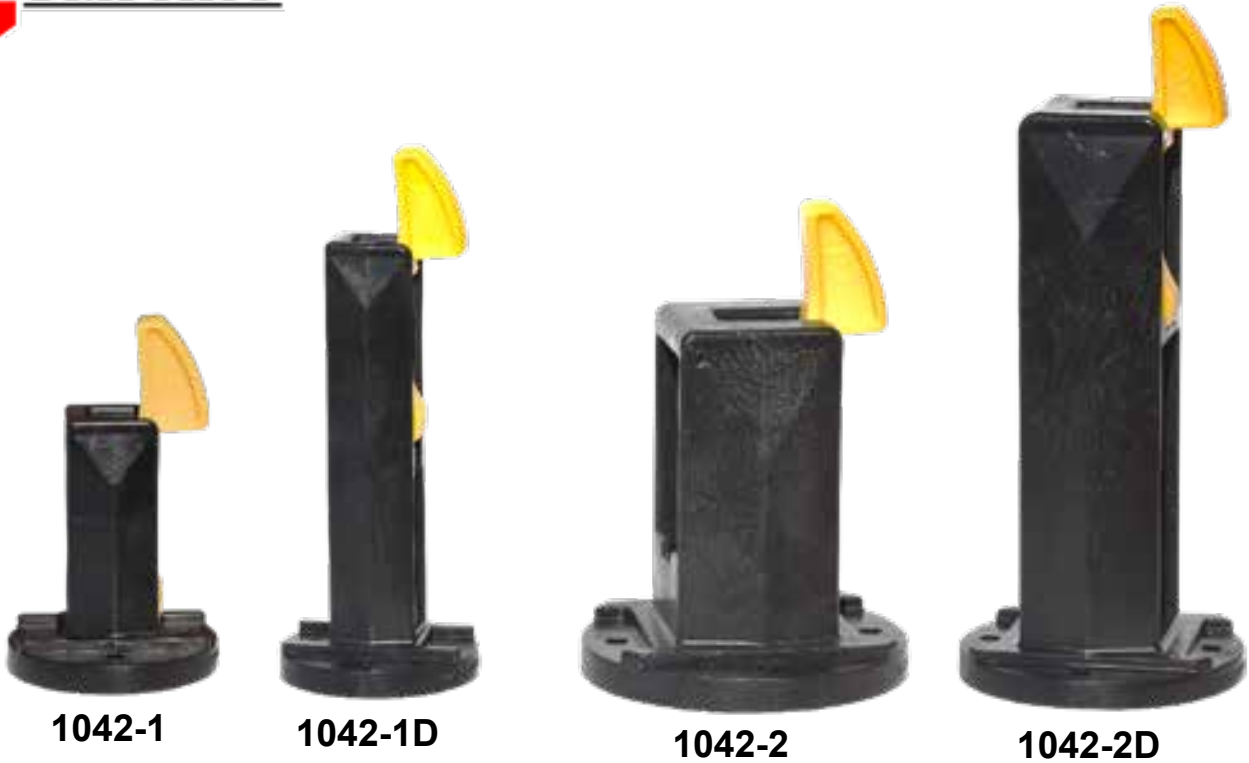
| P/N | WT. | MAX LOAD | GRIP RANGE | HANGER RANGE | FLAME TOXICITY CHEMICAL |
|---------|-------|----------|------------|--------------|-------------------------|
| 1042-1 | .3lbs | N/A | N/A | N/A | N/A |
| 1042-1D | .4lbs | N/A | N/A | N/A | N/A |
| 1042-2 | .5lbs | N/A | N/A | N/A | N/A |
| 1042-2D | .6lbs | N/A | N/A | N/A | N/A |

Performance Advantage Company Lancaster, New York

www.pactoolmounts.com

888-514-0083

| REFERENCE | QTY | REMARKS | PROJECT |
|-----------|-----|---------|---------------------|
| | | | LOCATION |
| | | | BUYER |
| | | | DEALER |
| | | | BUILDER |
| | | | SUBMITTED BY: DATE: |



PAC Adapter Loks keep your adapters organized and ready to use. Your adapters easily slide on and are retained by the locking feature. Simply depress the highly visible lock to remove the adapters!

- Molded from high quality materials
- Accepts both double male and female adapters
- Impact resistant
- Non-conductive

