



PRODUCT DATA SHEET

P/N: 1005 STOW-N-LOK



Stow-N-Loks combine a friction lock action with the security of a positive locking strap. The flexible Y-shaped brackets are designed to provide a secure grip-like mount for poles, nozzles and a wide variety of other tools and equipment. These brackets can be used with or without the strap.

FEATURES

- The strap is easily adjusted for various work holding conditions and sizes
- Standard body to accommodate rakes and other large-head tools
- Short body for close mounting and space saving
- Rugged injection molded components made from high quality materials
- Weather, UV resistant
- Non-conductive
- Can be mounted horizontally or vertically
- Stainless Steel Fasteners provided
- Mounts to PAC tool boards and other flat surfaces
- Strap available in **Yellow, Black and Orange**

TYPICAL SPECIFICATION

Mounting bracket shall be PAC PN 1005.
Bracket shall be made from tough, corrosion free material. Strap shall be available in 3 colors with adjustable end and lock points. Hardware shall be stainless steel.

Users shall be protected from conductivity.

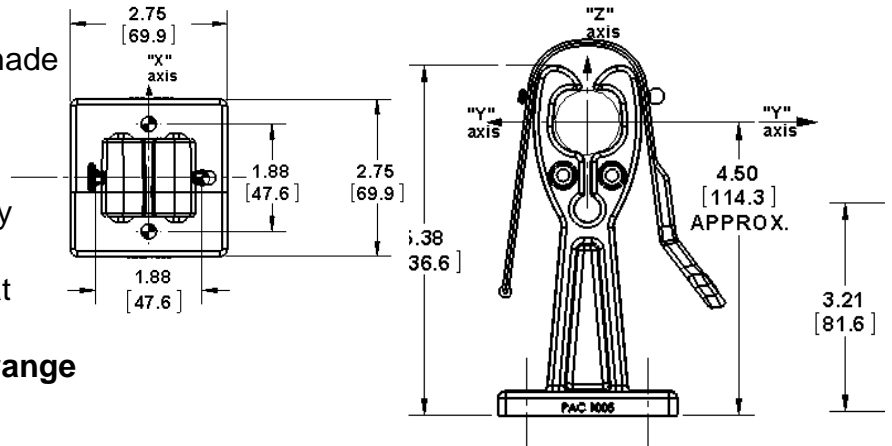
EQUIPMENT

Various

Rounds: 1" - 1-1/2" Diameter

Rectangular: N/A

Irregular: Up to 1-1/2" wide.



SPECIFICATIONS

P/N	WT.	MAX DYNAMIC LOAD	MAX STATIC LOAD	GRIP RANGE	TEMP RANGE	FLAME RESISTANCE	PAINTABLE	UV
1005	.4 lbs .18kg	4lbs (1.8kg) @9G force	"X" axis - "Y" axis - "Z" axis -	1" (25.4) To 1-1/2" (38)	-20 °F to 125 °F	GOOD	NO	MAT'L ADDITIVE

Performance Advantage Company

Lancaster, New York

www.pactoolmounts.com

888-514-0083

REFERENCE	QTY	REMARKS	PROJECT
			LOCATION
			BUYER
			DEALER
			BUILDER
			SUBMITTED BY: DATE:



Combining a friction lock action with the security of a positive locking strap, the flexible Y-shaped brackets are designed to provide a secure grip-like mount for poles, nozzles and a wide variety of other tools and equipment. These brackets can be used with or without the strap. The strap is easily adjusted for various work-holding conditions and sizes. Each kit includes 1 PAIR of our useful STOW-N-LOK brackets.

- Molded from high quality materials
- Weather, UV resistant
- Non-conductive
- Can be mounted horizontally or vertically

