



HALLIGAN TOOL MOUNT P/N K5032 INSTALLATION INSTRUCTIONS

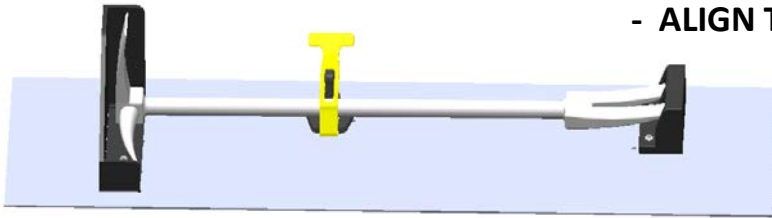
For additional assistance call 888-514-0083 between 8AM-5PM EST or email: info@pactoolmounts.com

CAUTION

To avoid the risk of personal injury, property damage or product damage, please use the included fasteners for mounting.

- * The bracket must be securely mounted to a stable surface and material.
- * When mounting bracket to PAC TRAC aluminum products **P/N 7000, P/N 7020, P/N 7040, P/N 7050** with the included Trac Lok inserts **P/N 7016**, torque the screws to a maximum 15 in-lbs.
- * PAC recommends regular and frequent inspections to be certain of proper operation and installation.

ALIGN BRACKETS TO TOOL FOR POSITION – TRANSFER HOLE LOCATIONS OR - ALIGN TO NEAREST TRAC GROOVE



MTG. HARDWARE for PAC TRAC			QTY
	P/N 2044	#10-24 x 1-1/4 S.S. S.S. Flat Head Screw	4
	P/N 2054	#10 S.S. Washer	4
	P/N 7016	Trac Lok Insert	6
	P/N 2046	#10-24 x 1 S.S. Pan Head Screw	2

STANDARD MTG. HARDWARE			QTY
	P/N 2031	1/4-20 x 1-1/4 S.S. Flat Head Screw	4
	P/N 2069LN	1/4-20 Nut	6
	P/N 3017	1/4-20 x 1 S.S. Pan Head Screw	2

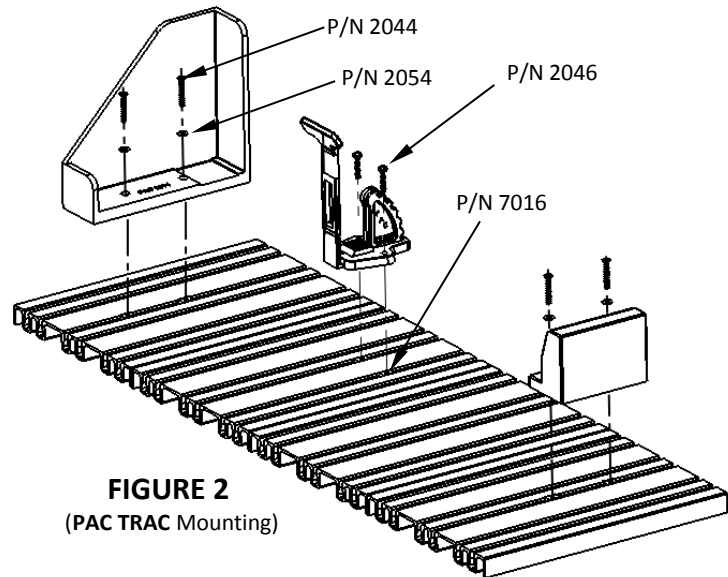


FIGURE 2
(PAC TRAC Mounting)

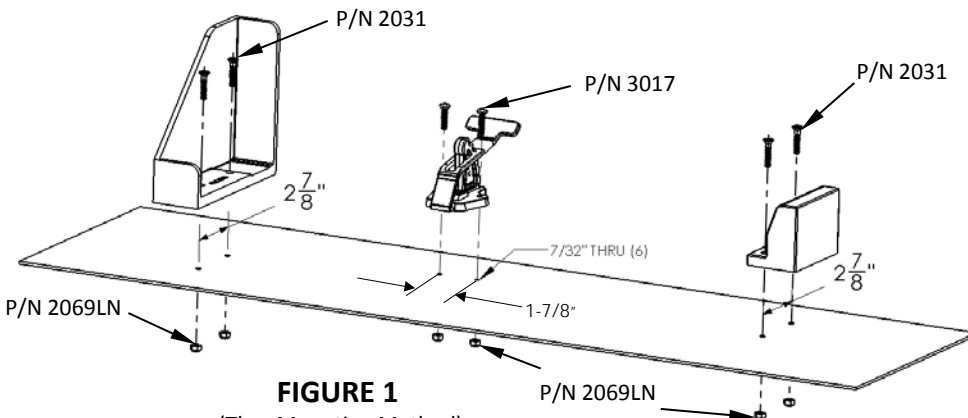


FIGURE 1
(Thru Mounting Method)