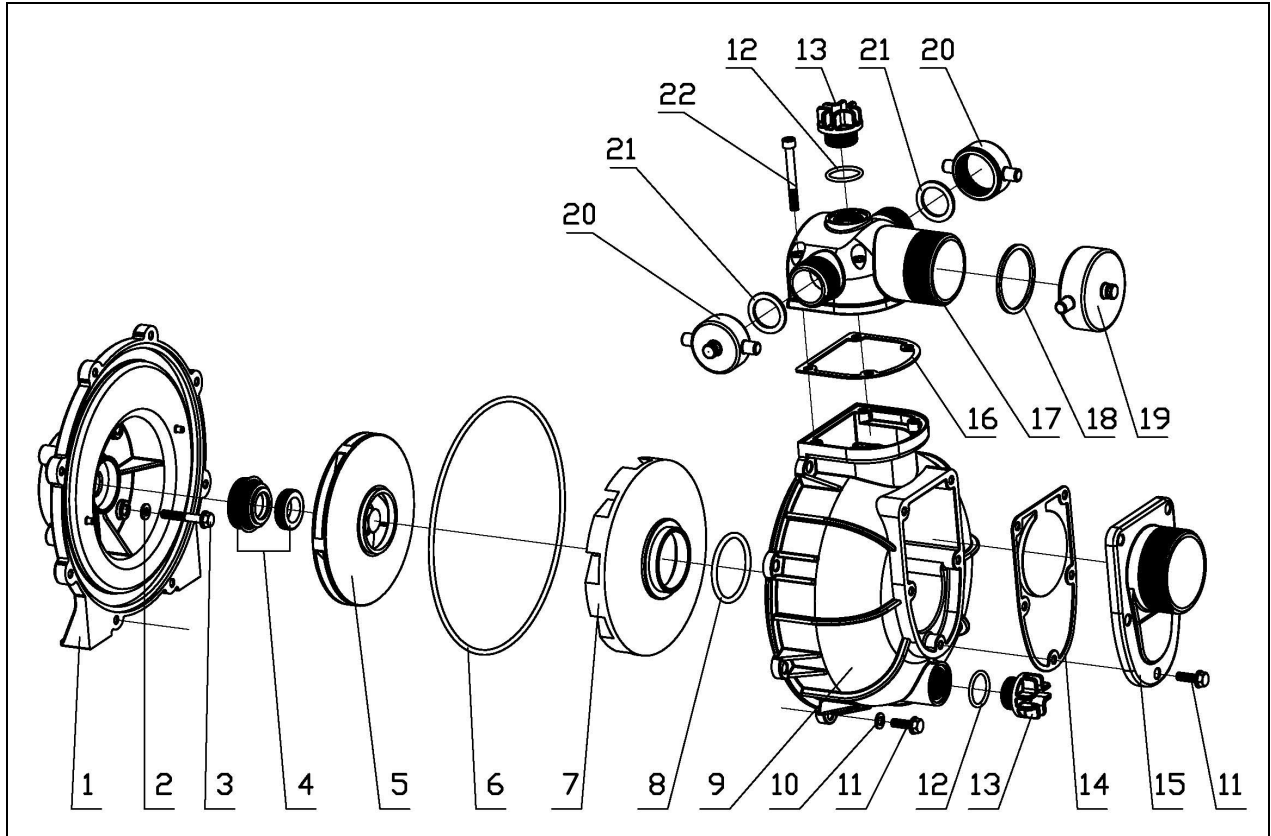




FRONTIER

13.5HP HIGH PRESSURE PUMP SCHEMATIC DIAGRAM



	Name	Material	Pcs.		Name	Material	Pcs.
1	Pump cover	ZL102	1	12	31.5x3.55 O-ring seal	NBR	2
2	8 Nylon gaskets 8	PA	4	13	Plastic plug	ABS	2
3	M8x50 Hex bolt	25#	4	14	Check valve	NBR	1
4	Mechanical seal	SB25	1	15	Inlet	ZL102	1
5	Impeller	ZL102	1	16	Outlet seal gasket	NBR	1
6	260x5 O-ring seal	NBR	1	17	Outlet	ZL102	1
7	Guide vane	HT200	1	18	2.5" Sealing washer	NBR	1
8	63x5.3 O-ring seal	NBR	1	19	2.5" wrench	ABS	1
9	Pump Body	ZL102	1	20	1.5" wrench	ABS	2
10	8 Flat pad ring 8	Q235	8	21	1.5" Sealing washer	NBR	2
11	M8x25 Hex bolt	25#	13	22	M8x70 Hexagon socket screw	25#	4