



FireBozz
RAPID DEPLOY FIRE-SUPPRESSION SYSTEMS



MOBILE WATER SYSTEM

Orientation manual

FIREBOZZ ORIGINAL | FIREBOZZ MINI

FIREBOZZ ORIGINAL

STEP 1 LEGS

- Place unit on ground and pull out extendable legs until they lie flat on the ground **①**, *Figure 1*.
- Set up feet at an angle to the ground as shown in *Figure 1*, for more stability. To do this remove the pin **②** from each leg rotating the legs out until they hit the ground. Do this for all legs.
- Starting from either end of the unit (inlet or outlet) lift the entire assembly up with one hand. Legs should naturally drop down into position. Rotate legs to an angle to the ground while keeping steady pressure on the pins **②**, *Figure 2*.
- When pin goes through lock the pin in place.
- Do this for all legs **①**.
- Legs **③** may be additionally deployed in rough or unstable, or asphalt or cement surfaces to increase friction, *Figure 3*.
- Twist knob **④** to tighten legs in place.

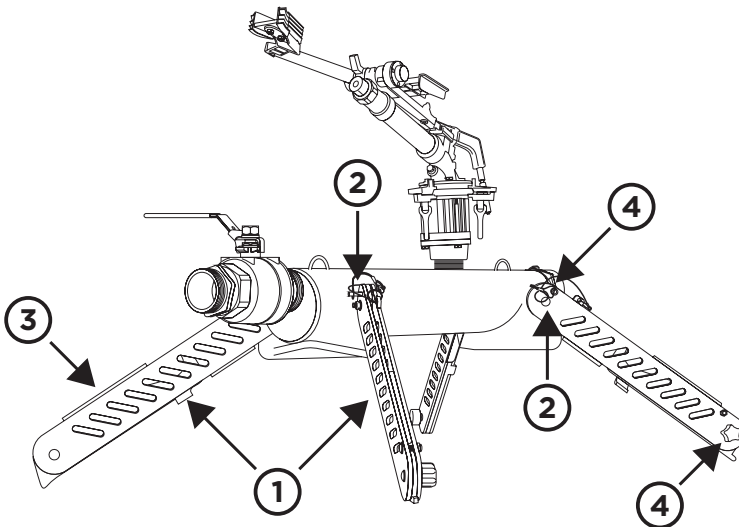


Figure 1.

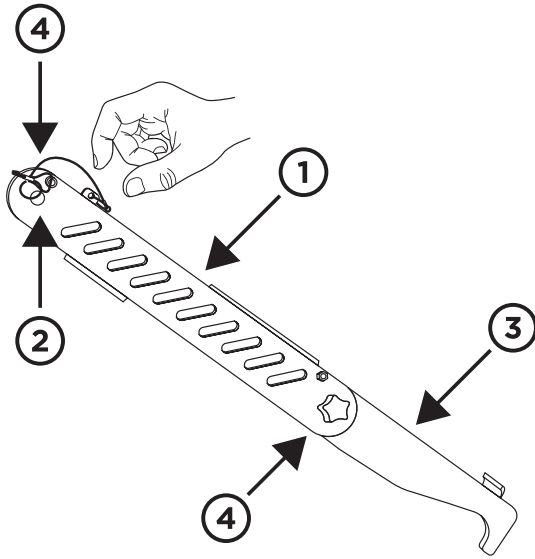


Figure 2.

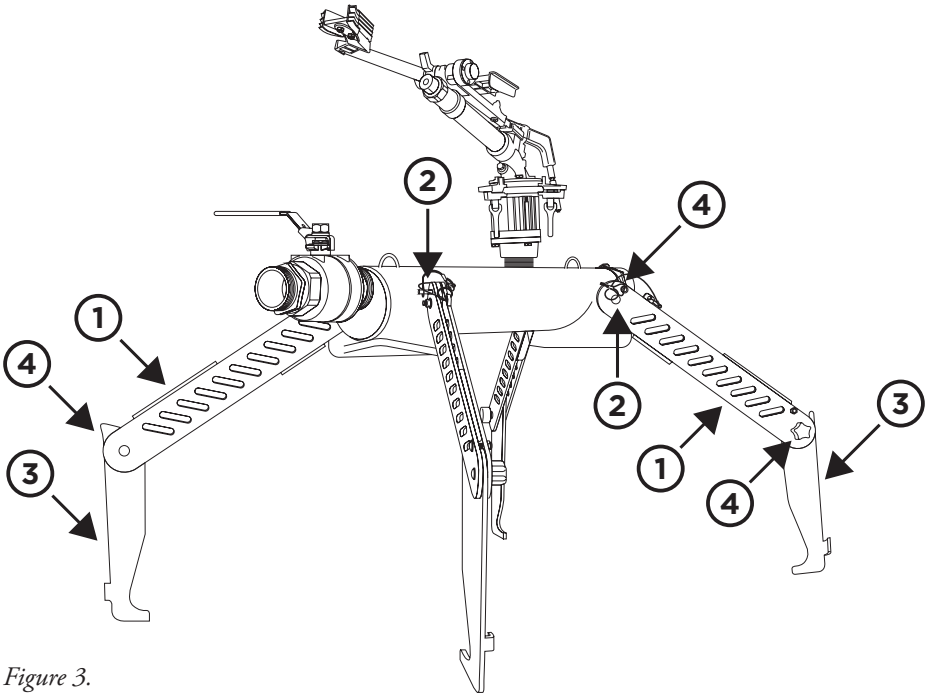


Figure 3.

STEP 2 SPRINKLER HEAD

- Position the stays (5) on the back of the sprinkler head (6) to control the arc of travel of the sprinkler head (6), *Figure 4*.
- Or remove the stays for 360° rotation.

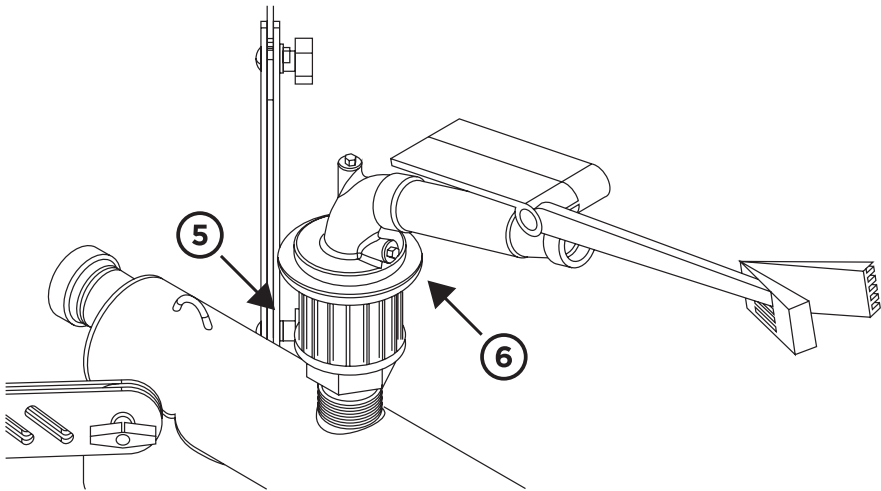


Figure 4.

STEP 3 HOSE

- Attach fire hose to a water source and the other end of the fire hose to the threaded inlet/outlet port (7) on the backside of the cannon manifold (8), (the one opposite the valve end (9)), *Figure 5*.
- Check fire hose thread for compatibility and use a fire hose with a Service rating of at least 250 psi.
- Make sure when you position the unit that the valve on the manifold is always furthest away from water source.

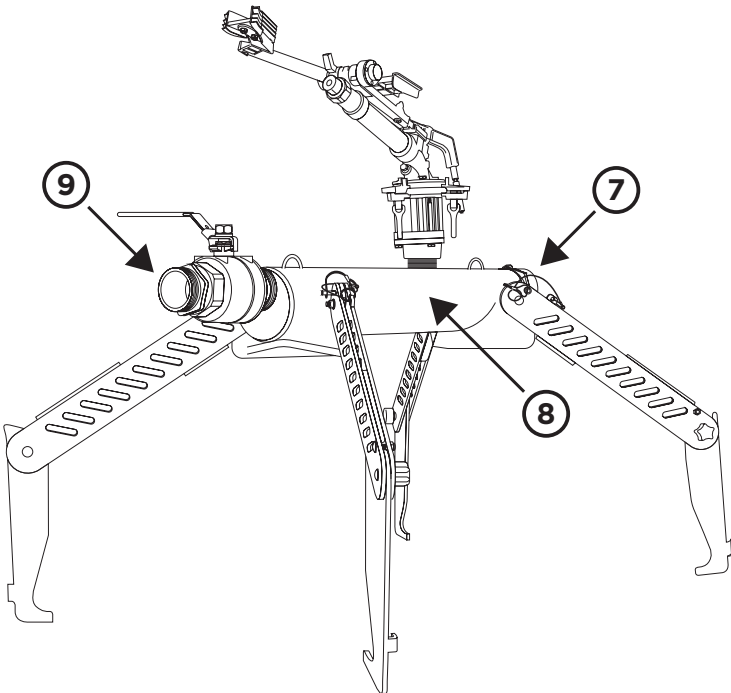


Figure 5.

FIREBOZZ ORIGINAL

STEP 4 VERIFY

Before supplying with water, verify the following:

- Pins are in place and legs locked.
- Stays are either positioned to direct the arc in the intended direction of travel.
- Outlet valve ⑨ is turned off.
- Nozzle is pointing away from people and all personnel are removed from spray radius.
- Unit is stable. If ground is very uneven or unit is unbalanced consider either staking the unit into the ground/ surface or tethering the unit.
- Water should be flowed to the unit slowly at first until hose and unit are filled with water. Pressure can then be increased.

STEP 5 ADDITIONAL CANNON USED “IN-LINE”

- Multiple Cannons can be used attached to together on a single line and spaced apart at intervals. Water can be flowed from one direction (dead-end set-up) or can be supplied from both inlet and outlet (loop-system or gated “wye” system).
- To use FireBozz® water cannon in multiple units, repeat steps 1 through 3.
- Attach a hose to the first water cannon on to the front threaded inlet/outlet valve ⑨, *Figure 5*.
- Once the hose is attached to both water cannons open the water valve on the first unit to allow the water to flow through to the next cannon.
- If used in a gated ‘wye’ looped fashion then make sure all valves are open before supplying with water.
- If used in a “Dead-End” configuration then make sure the valve on the last unit is closed.

WARNING: Water is under high pressure. Do not stand in or near the stream of water from sprinkler head. Always point the head away from people before supplying with water and be able to cut supply of water quickly if possible. Use Pressures less than 120 psi.

This information is for orientation only. No specialization of knowledge is either stated or implied. The FireBozz water cannon uses water under pressure. Any use is at the sole risk of the user.

FIREBOZZ MINI

STEP 1 LEGS

- Place unit on ground and pull out extendable legs **1**, *Figure 1*. The FireBozz Mini offers one set up with the legs on a slight 5 degree angle to the ground.
- Set up feet at an angle to the ground as shown in *Figure 2*, for more stability. To do this remove the pin **2** from each leg rotating the legs out until they hit the ground. Do this for all legs.
- Starting from either end lift the entire assembly up with one hand very slightly and rotate legs to an angle to the ground while keeping steady pressure on the pins **2**, *Figure 2*.
- When pin goes through lock the pin in place.
- Do this for all legs **1**. When the unit is set up it should look like *Figure 3*. Never run the Mini without the leg extensions fully deployed and on a flat surface.
- Twist knob **4** to tighten legs in place.

Place pressure on each leg with feet to push the extension ends of the legs into the ground. DO NOT flow water to the Unit if all pins are not firmly locked and in place.

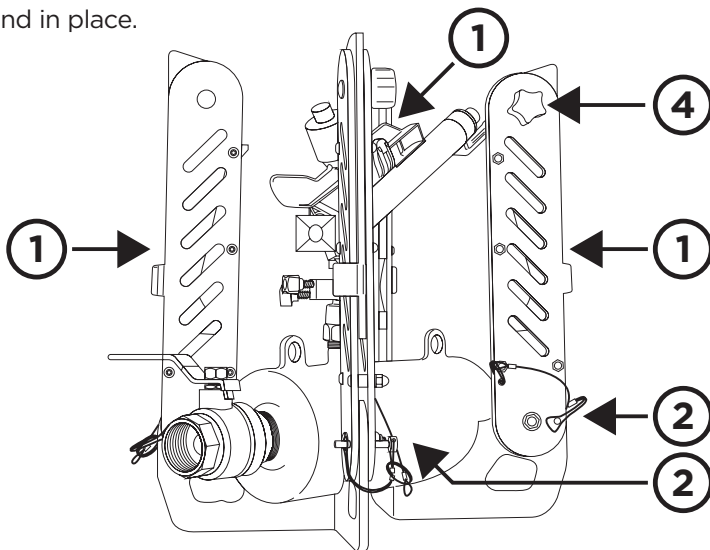


Figure 1.

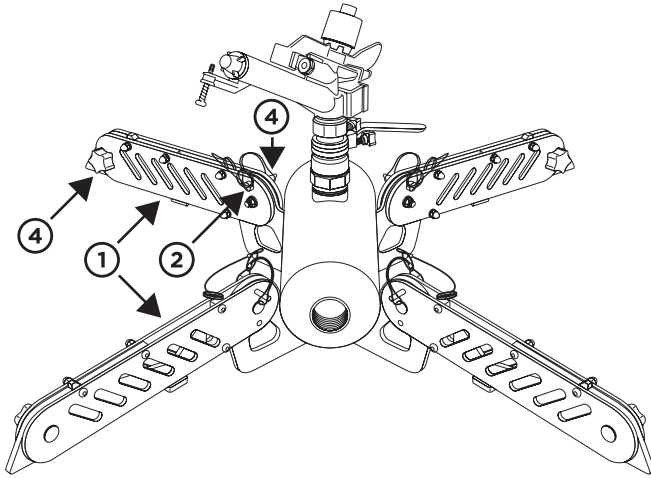


Figure 2.

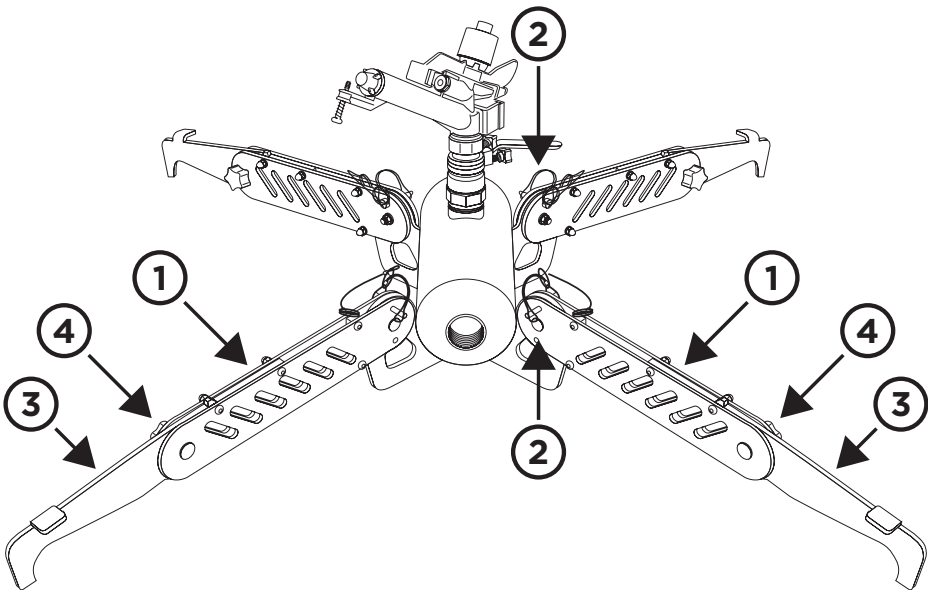


Figure 3.

STEP 2 SPRINKLER HEAD

The Mini Sprinkler Head can be positioned to spray in an arc with the stays in place. This arc can varied according to preference from 20-320°.

The stays can be lowered on the neck of the sprinkler and the sprinkler allowed to rotate fully 360°.

For Partial Arc:

- Position the plastic stays **5** on the back of the sprinkler head to control the arc of travel of the sprinkler head, *Figure 4*.
- Place and tighten the stays against the sprinkler head.
- Check that the arc is directed in the desired direction by rotating the head and seeing that the trip levers trip at the points of the arc desired.
- Or loosen the stays and lower them slightly so they do not catch the trip lever for 360° rotation.

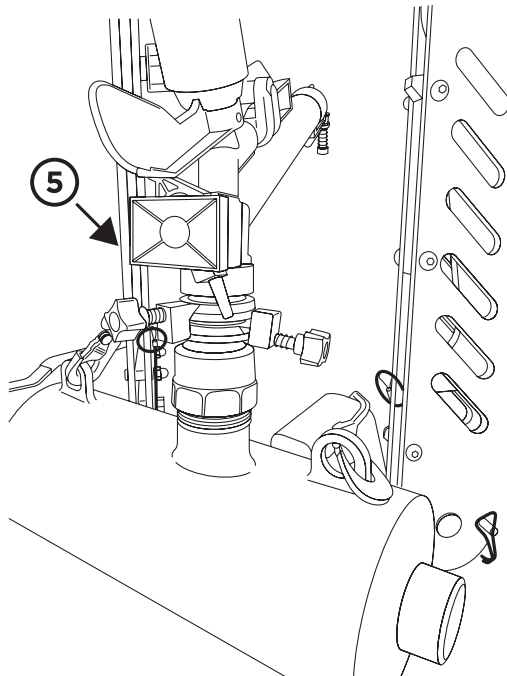


Figure 4.

STEP 3 HOSE

- Attach one end of water supply hose / fire hose to water source and the other end to the threaded inlet/outlet (7) on the backside of the cannon manifold (8), the one opposite the valve end, *Figure 5*.
- Check fire hose thread for compatibility and use a fire hose with a Service rating of at least 250 psi.
- Make sure when you position the unit that the valve on the manifold is always furthest away from water source and turned to the “off” position.

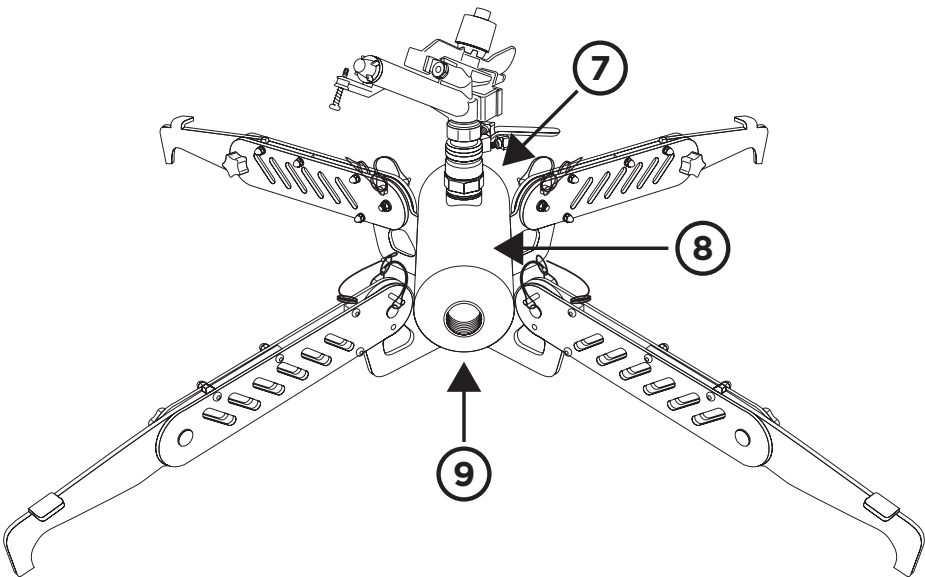


Figure 5.

STEP **4** **VERIFY**

Before supplying with water, verify the following:

- All legs and extensions are fully deployed with all pins in place and locked.
- Stays are either positioned to direct the arc in the intended direction of travel or lowered so the head can rotate 360°.
- Outlet valve is shut off.
- Nozzle is pointing away from people and all personnel are removed from spray radius.
- Unit is stable. If ground is very uneven or unit is unbalanced consider either staking the unit into the ground/ surface or tethering the unit.
- Supply water gradually to the FireBozz Mini gradually bringing it up to maximum pressure.

STEP 5 ADDITIONAL CANNON USED “IN-LINE”

- To use FireBozz® water cannon in multiple units, repeat steps 1 through 3.
- Attach a hose to the first water cannon on to the front threaded inlet/outlet valve ⑨, *Figure 5*.
- Once the hose is attached to both water cannons open the water valve on the first unit to allow the water to flow through to the next cannon.
- If used in a gated ‘wye’ looped fashion then make sure all valves are open before supplying with water.
- If used in a “Dead-End” configuration (with water flowing in one direction only) then make sure the valve is in the off position for the end unit.
- Flow water slowly at first before building up pressure. This will avoid any possible water “hammer” effect.

WARNING: Water is under high pressure. Do not stand in or near the stream of water from sprinkler head. Always point the head away from people before supplying with water and be able to cut supply of water quickly if possible. Use Pressures less than 120 psi.

This information is for orientation only. No specialization of knowledge is either stated or implied. The FireBozz water cannon uses water under pressure. Any use is at the sole risk of the user.