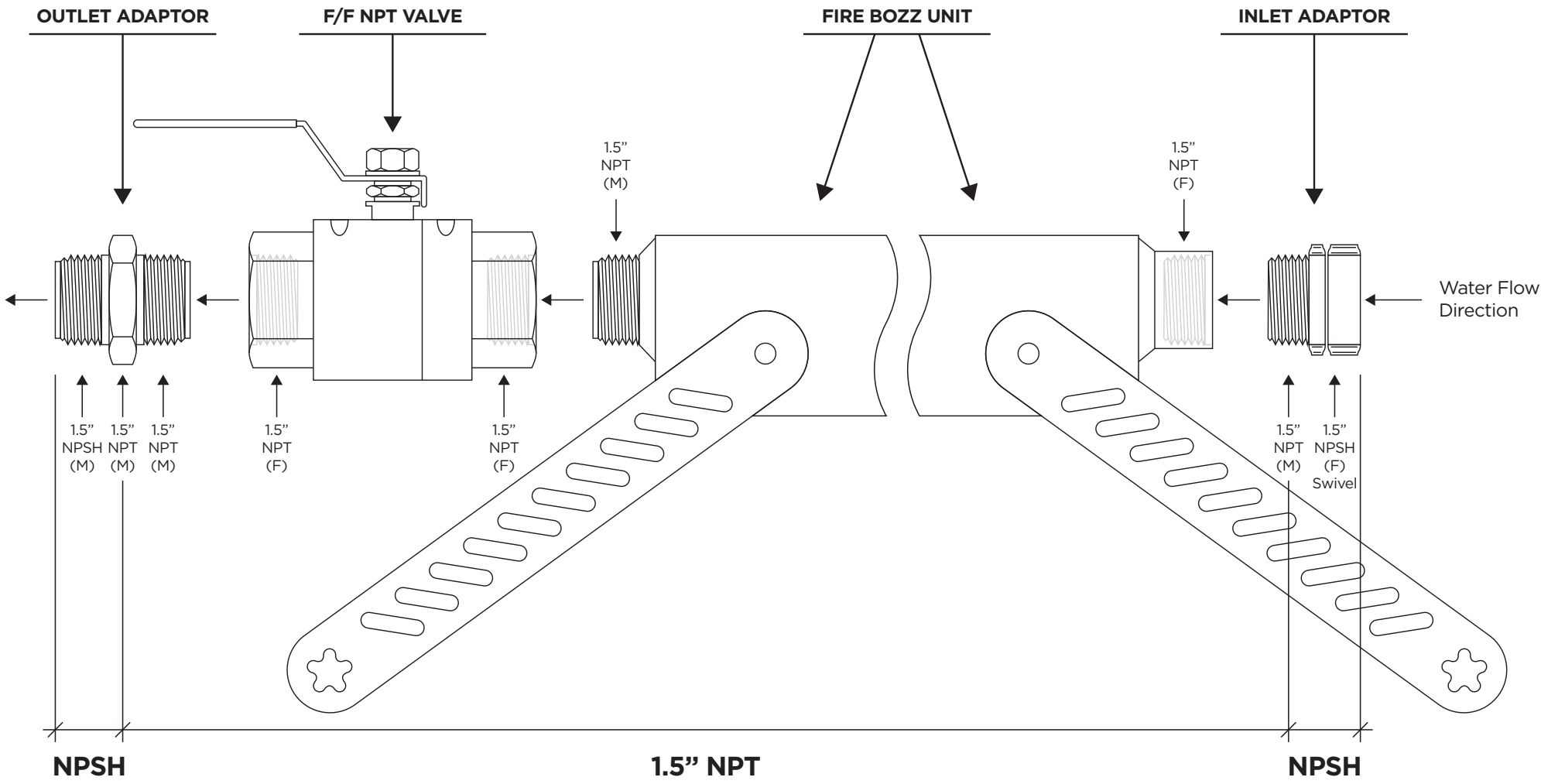


ADAPTOR SET UP / NPSH Set up*



* Desired inlet/outlet size may be different thread type or diameter.
 When joining threads, a liquid thread sealant like Loctite Brands liquid thread sealant is preferred.