

PRODUCT DATA SHEET

P/N: 1102 MINI LOK (Large)



FEATURES

SOLD IN PAIRS

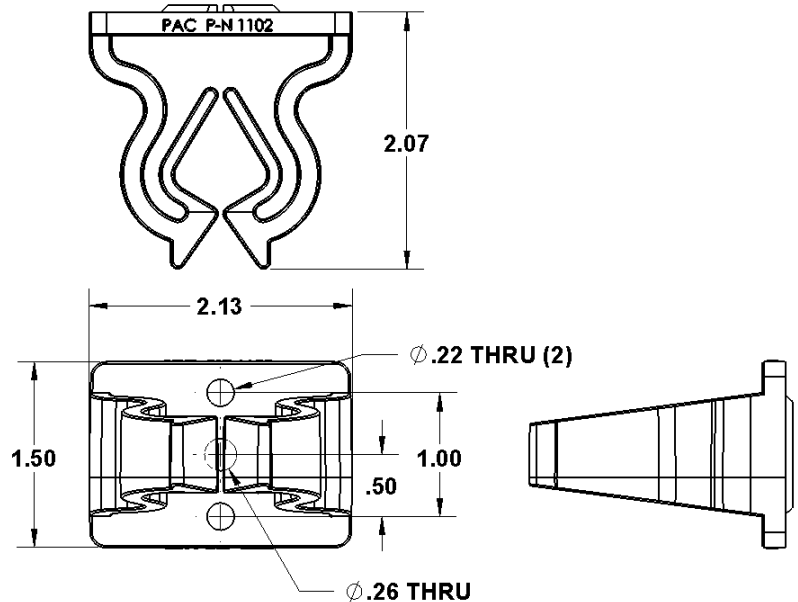
- Rugged injection molded components made from high quality materials
- Weather, UV resistant
- Non-conductive
- Can be mounted horizontally or vertically
- Stainless Steel Fasteners provided
- Mounts to PAC tool boards, PAC Strut and other flat surfaces.

TYPICAL SPECIFICATION

Mounting Bracket shall be PAC PN 1102.

Bracket shall be single piece construction; made from tough, corrosion free material. Hardware shall be stainless steel.

Firefighters shall be protected from conductivity.



SPECIFICATIONS

P/N	WT.	MAX LOAD	GRIP RANGE	HANGER RANGE	FLAME TOXICITY CHEMICAL
1102	1.1 OZ EA.	N/A	.75" – 1.125"		N/A

Dimensions: 1.5" x 2.13" x 2.07"

Performance Advantage Company

Lancaster, New York

www.pactoolmounts.com

888-514-0083

REFERENCE	QTY	REMARKS	PROJECT
			LOCATION
			BUYER
			DEALER
			BUILDER
			SUBMITTED BY:
			DATE:



SOLD IN PAIRS – The MINI LOK BRACKET is a versatile and easy to use friction lock product providing secure mounting for small tools and equipment.

- Perfect for flashlights, rods, cords, and small hand tools
- Works great with PAC Strut
- Rugged injection molded components made from high quality materials
- Weather, UV resistant
- Non-conductive
- Can be mounted horizontally or vertically

