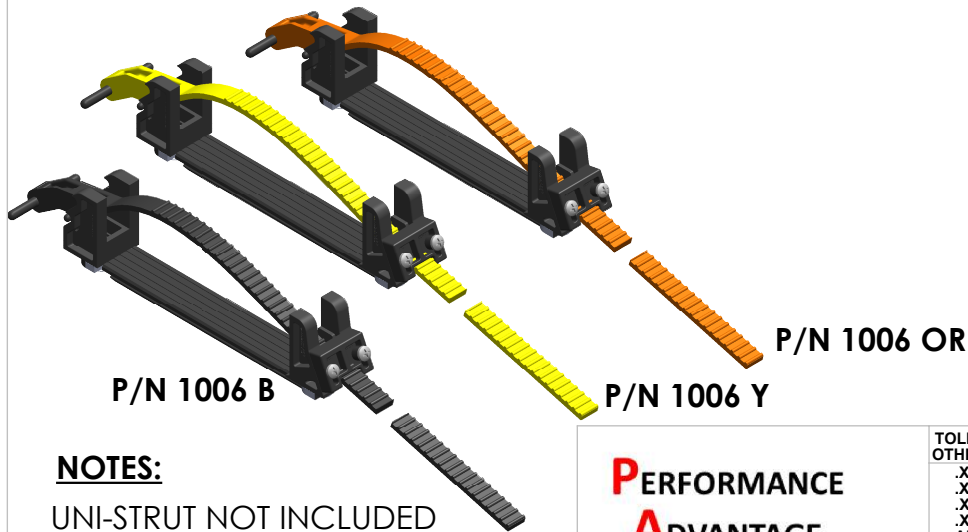
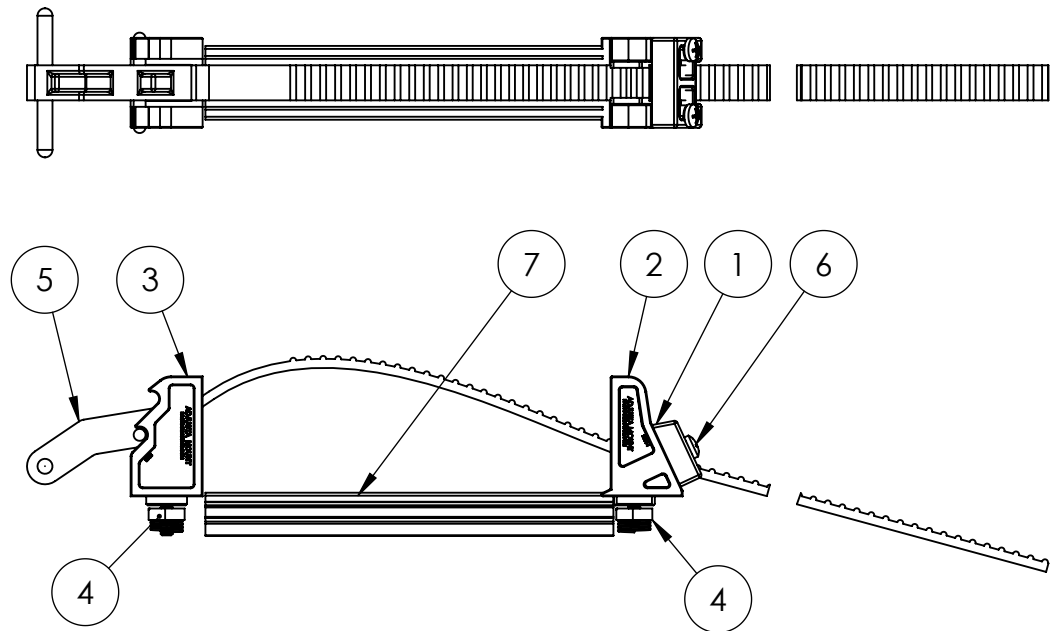


REV	DESCRIPTION	DATE	APPR
C	NEW MODULES	2/24/2020	



7	1006-3	CHANNEL CUSHION	1	
6	3017	14-20 X 1 PHIL PANHEAD	4	
5	2008-1	LOCK STRAP	1	
4	2010	CHANNEL NUT 1/4-20	2	
3	2005P	LOCK END MODULE	1	B
2	2004-1P	CLAMP END MODULE	1	
1	2003UP	UNIVERSAL CLAMP TOP	1	
ITEM NO.	PAC P/N	PART NAME		REV

**NOTES:**

UNI-STRUT NOT INCLUDED

WHEN ATTACHING TO PAC STRUT  
USE P/N 2023 CHANNEL NUTS  
ORDER SEPARATELY

**P**ERFORMANCE  
**A**DVANTAGE  
**C**OMPANY



**TOLERANCES UNLESS OTHERWISE SPECIFIED**

.X = ± .03  
.XX = ± .010  
.XXX = ± .0005  
ANGLES ± 0.5 °  
FRACTIONAL ± 1/64

THIRD ANGLE PROJECTION



COLOR  
BLACK

	NAME	DATE
DRAWN BY	JIM GONZALEZ	3/5/2010
APPR. BY	JIM GONZALEZ	3/5/2010
MFG BY		
MFG. P/N		
ENG APPR.		
MATERIAL		
ALT. MATERIAL		
FINISH		

THE INFORMATION CONTAINED IN THIS DRAWING IS THE SOLE PROPERTY OF PERFORMANCE ADVANTAGE CO. ANY REPRODUCTION IN PART OR AS A WHOLE WITHOUT THE WRITTEN PERMISSION OF PERFORMANCE ADVANTAGE CO. IS PROHIBITED.

**TITLE:**

**ADJUSTAMOUNT**

**PART NUMBER**

**1006**

**REV**

**C**

**SCALE: 1:4**

**SHEET 3 OF 3**