

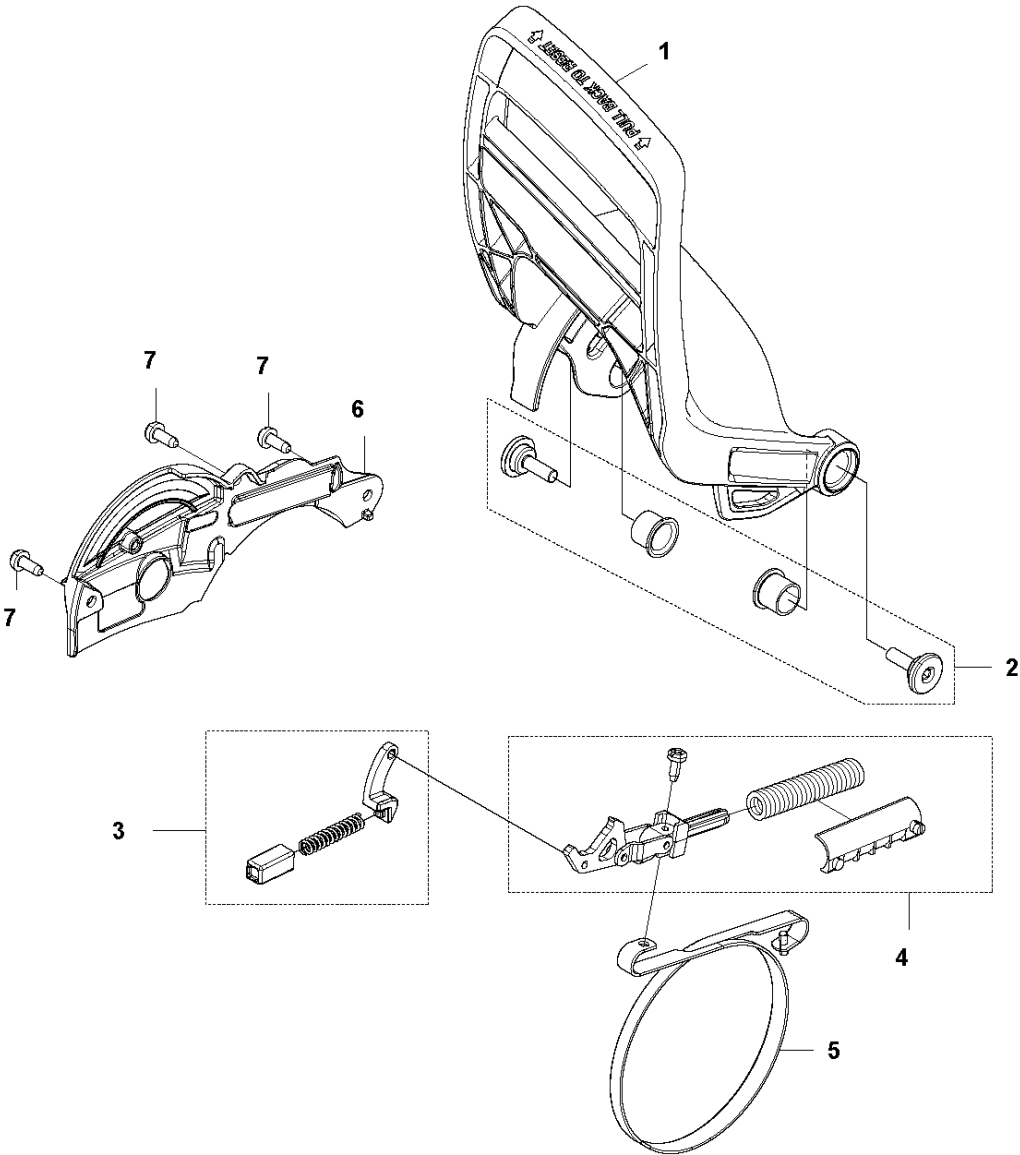


SPARE PARTS LIST

CHAIN SAWS

572 XP/XPG

A1 572 XP
CHAIN BRAKE



CHAIN BRAKE

572 XP/XPG

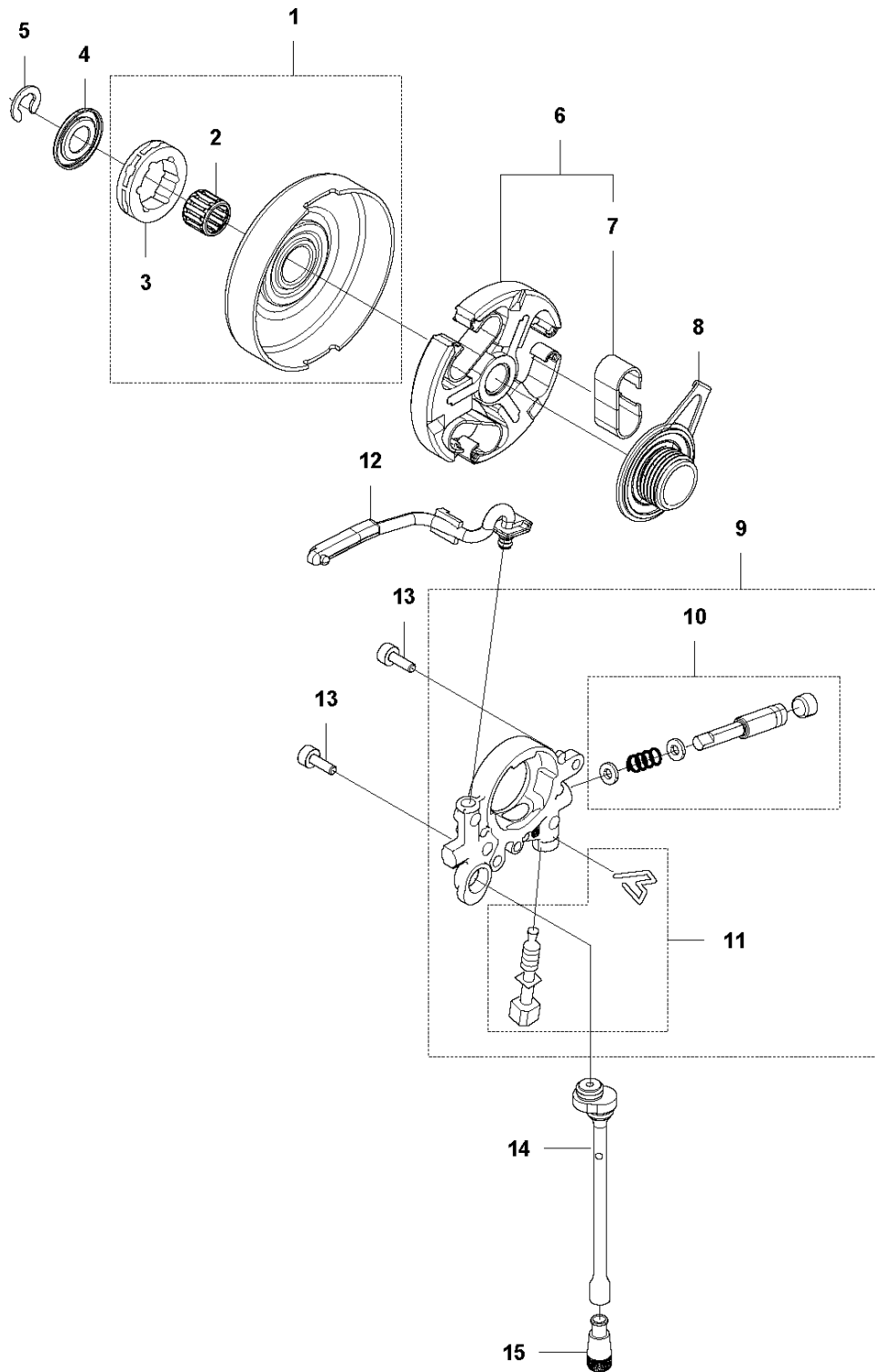
Ref	Part No	Description	Remark	QTY KIT
1	576 13 96-01	HAND GUARD		1
2	590 10 53-01	SCREW KIT	KIT - Screws and Bushings	1
3	590 11 02-01	CHAIN BRAKE		1
4	590 10 56-02	KNEE JOINT		1
5	503 75 22-02	BRAKE BAND ASSY		1
6	574 82 56-01	COVER		1
7	582 21 33-01	SCREW		3

CLUTCH COVER

572 XP/XPG

Ref	Part No	Description	Remark	QTY	KIT
1	594 90 78-01	CLUTCH COVER ASSY	Wrap	1	
1	575 23 59-07	CLUTCH COVER ASSY		1	
2	537 17 26-03	CLUTCH COVER	Wrap	1	1
2	575 23 63-03	CLUTCH COVER		1	1
3	537 17 41-01	CHIP GUARD	Wrap	1	1
3	575 23 64-01	CHIP GUARD		1	1
4	526 22 18-01	SCREW CITXPANT	Wrap	4	1
4	526 22 18-01	SCREW CITXPANT		3	1
5	537 04 34-01	CHAIN GUIDE	Wrap	1	1
5	501 51 72-01	CHAIN GUIDE		1	1
6	537 01 68-01	COVER	Wrap	1	1
6	576 42 43-01	COVER		1	1
7	503 22 00-01	HEXAGON NUT	Wrap	2	1
7	505 19 73-01	NUT		2	1
8	537 03 38-03	LABEL	Wrap	1	1
9	590 10 47-01	CHAIN TENSIONER KIT		1	1
10	590 10 48-01	WORM SCREW		1	1
11	590 10 51-01	WORM WHEEL		1	1

B 572 XP
CLUTCH & OIL PUMP

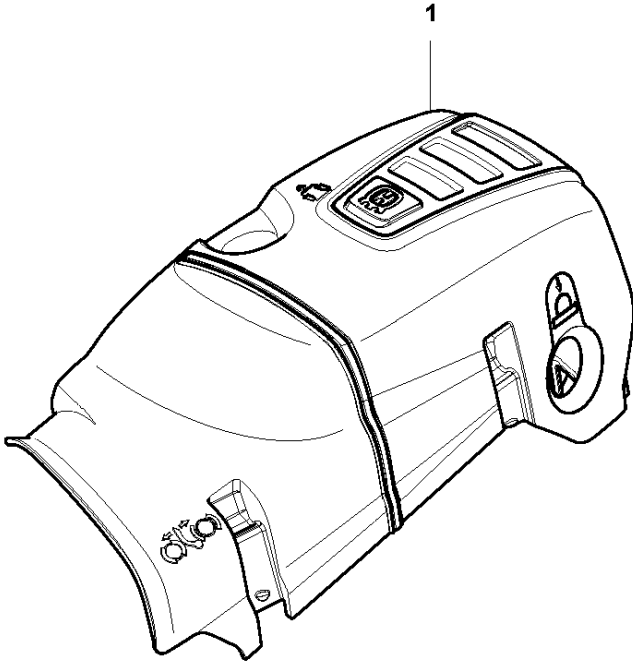


CLUTCH & OIL PUMP

572 XP/XPG

Ref	Part No	Description	Remark	QTY	KIT
1	577 60 38-01	CLUTCH DRUM ASSY		1	
2	503 43 20-01	NEEDLE HOLDER		1	1
3	501 59 80-02	RIM		1	1
4	503 75 24-01	WASHER		1	
5	503 27 21-01	E-CLIP		1	
6	586 79 84-04	CLUTCH ASSY		1	
7	537 36 06-01	CLUTCH SPRING		3	6
8	582 27 01-08	PUMP PINION		1	
9	589 02 84-01	OIL PUMP ASSY		1	
10	590 11 97-01	PUMP PISTON		1	9
11	590 12 01-01	OIL PUMP		1	9
12	576 98 74-01	OIL PRESSURE HOSE		1	
13	526 81 81-02	SCREW ITXSCM		2	
14	594 09 32-01	OIL HOSE		1	
15	501 54 41-02	OIL SCREEN		1	

C 572 XP
CYLINDER COVER

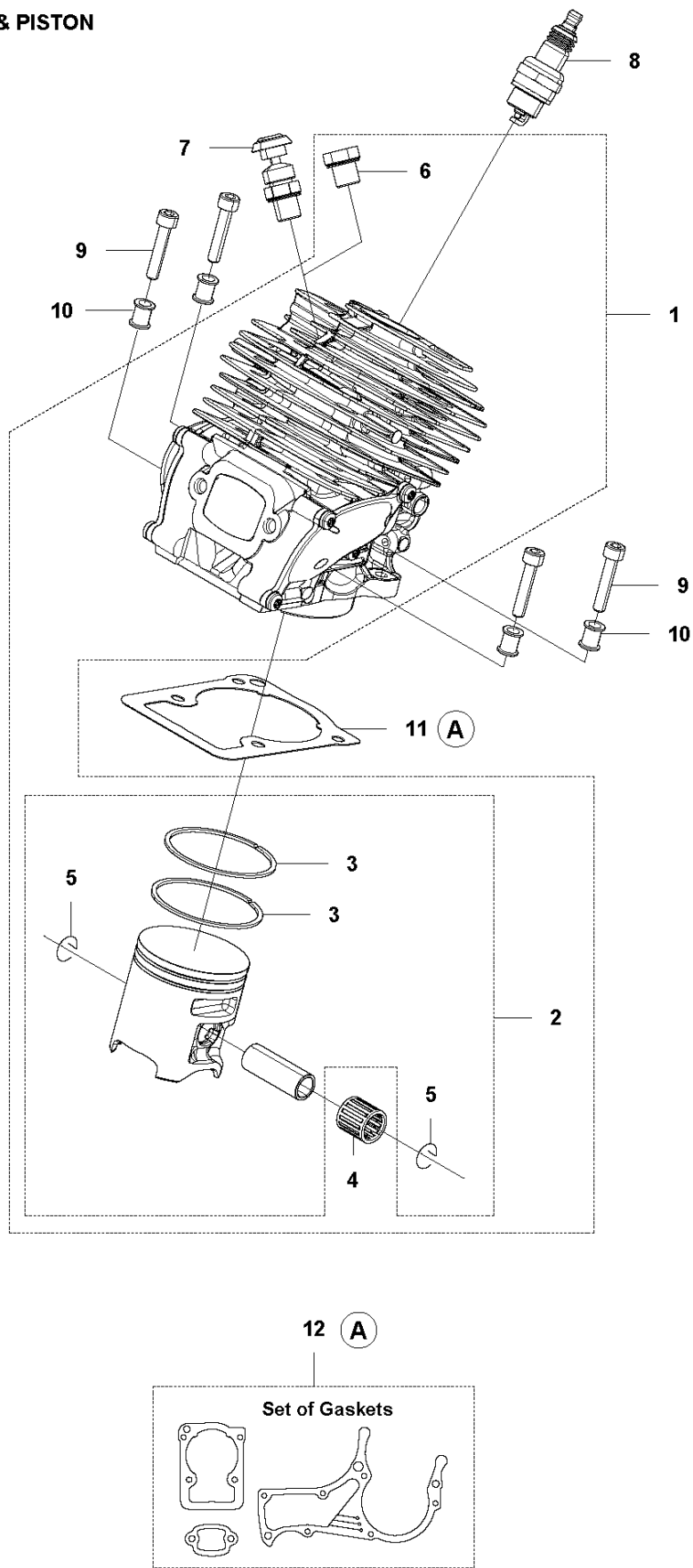


CYLINDER COVER

572 XP/XPG

Ref	Part No	Description	Remark	QTY KIT
1	579 79 87-01	CYLINDER COVER		1

D 572 XP
CYLINDER & PISTON

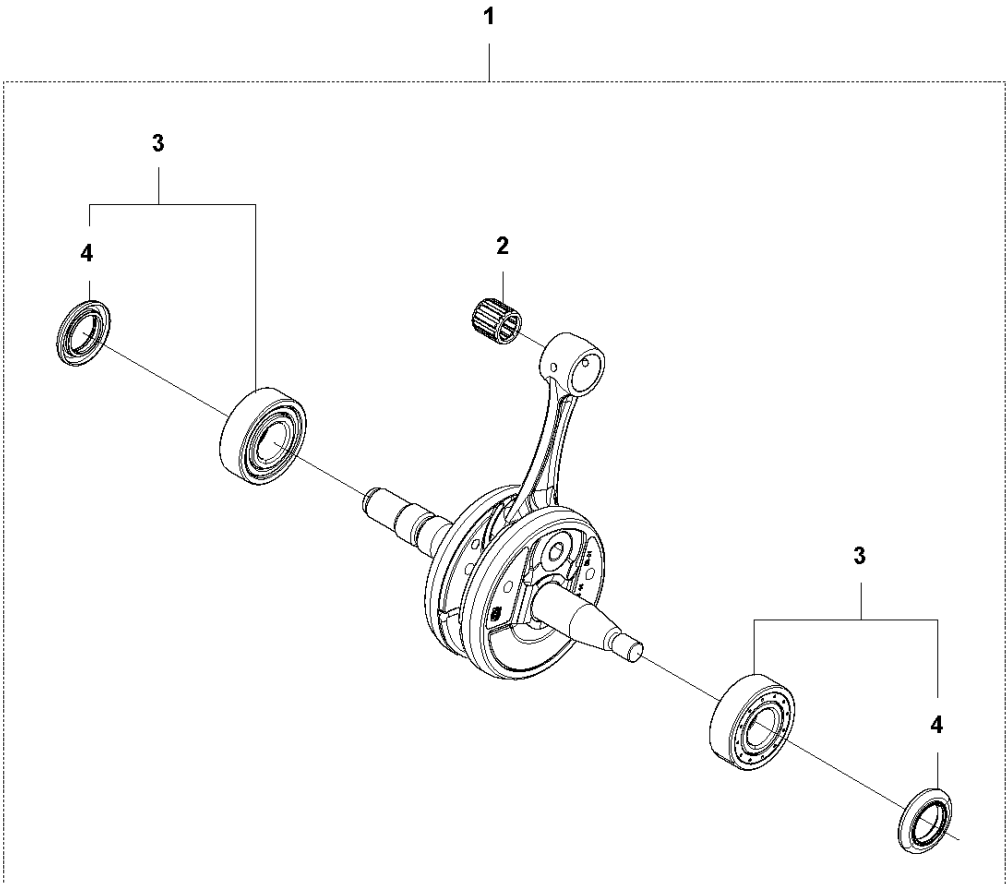


CYLINDER PISTON

572 XP/XPG

Ref	Part No	Description	Remark	QTY KIT	
1	590 15 03-01	CYLINDER ASSY	572	1	
2	576 62 67-04	PISTON ASSY		1	1
3	576 62 74-01	PISTON RING		2	2
4	577 57 24-01	NEEDLE BEARING		1	1
5	737 43 12-00	SNAP RING		2	2
6	503 55 22-01	PLUG		1	1
7	584 28 87-01	DECOMPRESSION VALVE		1	
8	503 23 51-11	SPARK PLUG		1	
9	501 81 12-02	SCREW ITXSCM		4	
10	589 52 79-01	SLEEVE		4	
11	577 23 98-01	GASKET		1	12
12	578 86 47-01	GASKET KIT		1	

E 572 XP
CRANKSHAFT

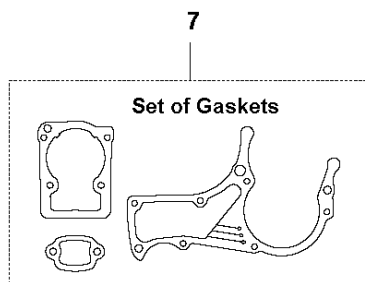
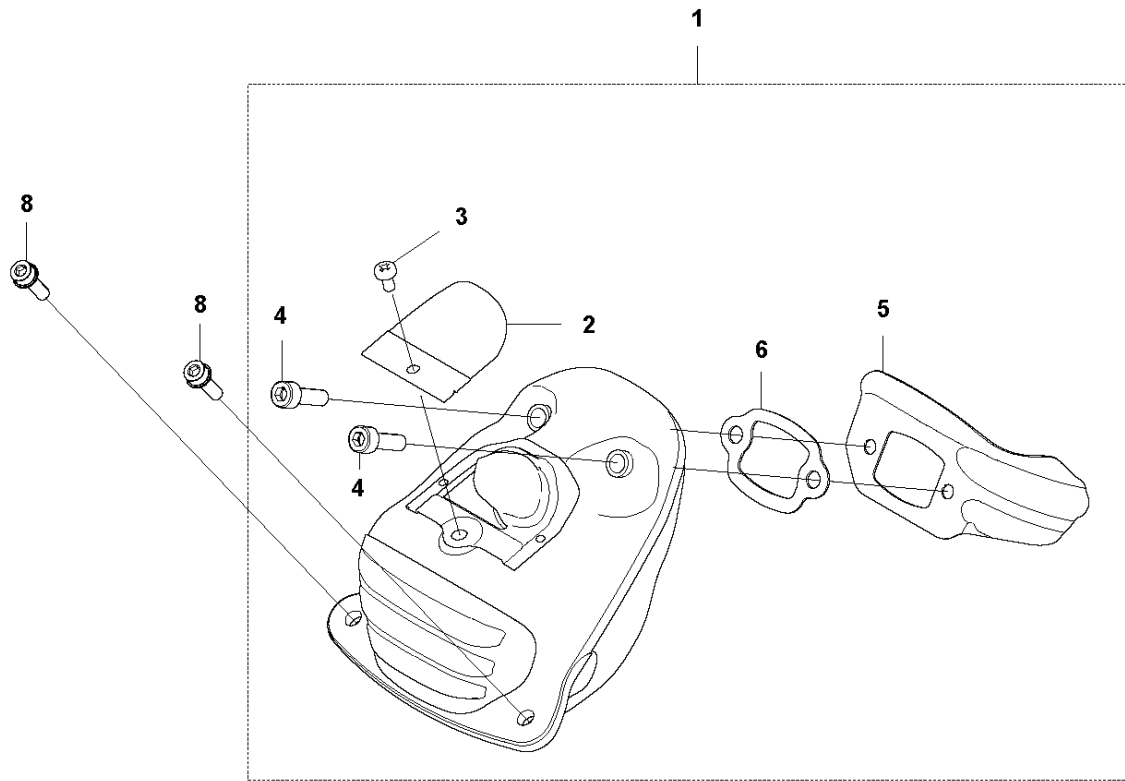


CRANKSHAFT

572 XP/XPG

Ref	Part No	Description	Remark	QTY	KIT
1	577 60 74-01	CRANKSHAFT ASSY		1	
2	577 57 24-01	NEEDLE BEARING		1	1
3	587 29 34-01	BALL BEARING		2	1
4	582 81 26-01	RADIAL SEAL		2	3

F 572 XP
MUFFLER

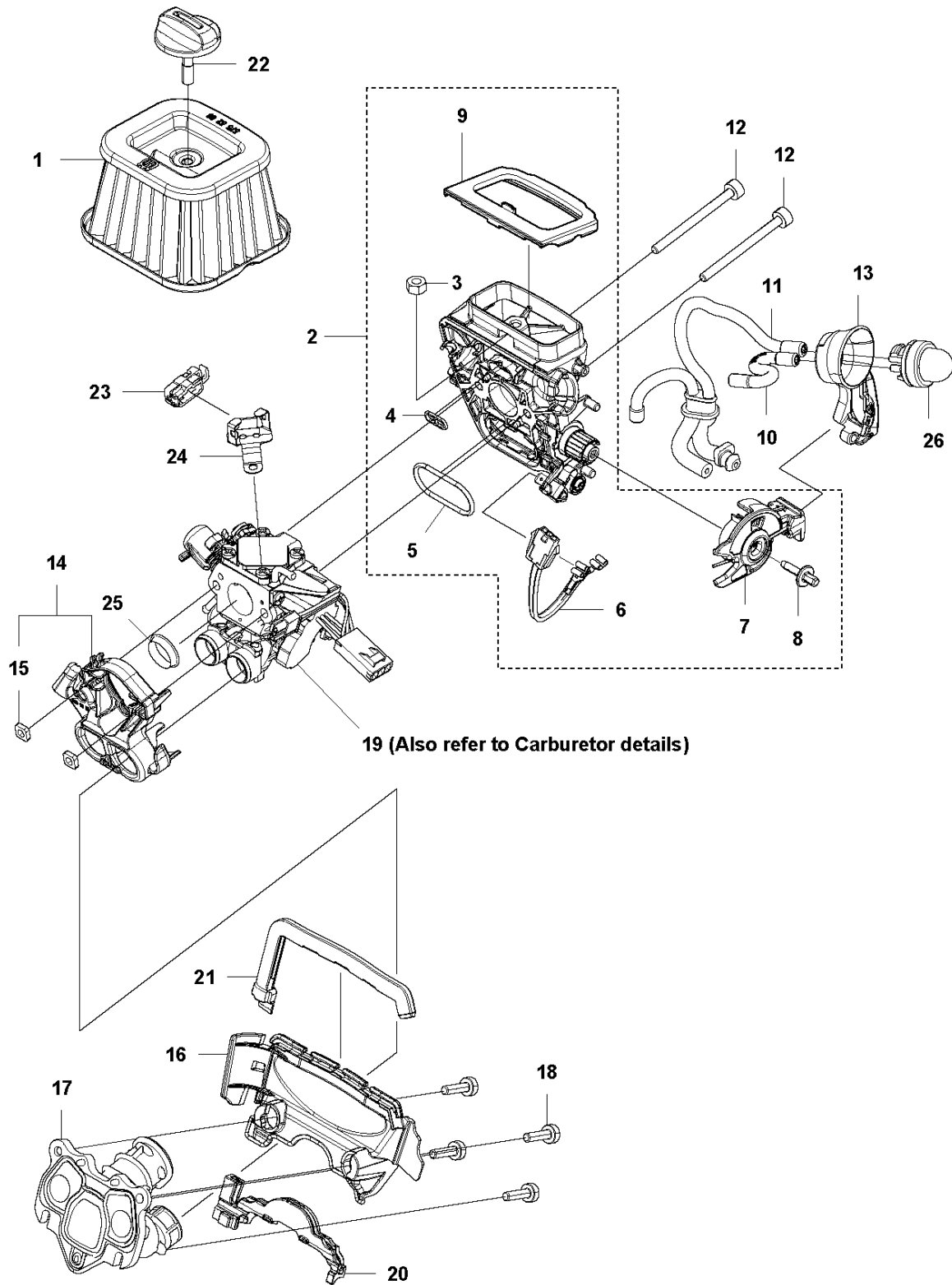


MUFFLER

572 XP/XPG

Ref	Part No	Description	Remark	QTY	KIT
1	587 21 78-01	MUFFLER KIT		1	
2	585 39 00-01	SPARK ARRESTER		1	1
3	724 12 87-59	SCREW CRPANM		1	1
4	525 82 51-06	SCREW ITXSCM		2	1
5	587 35 10-01	HEAT DEFLECTOR		1	1
6	587 35 09-01	GASKET		1	1, 7
7	578 86 47-01	GASKET KIT		1	
8	525 76 25-03	SCREW ITXSCM		2	

G1 572 XP
CARBURETOR & AIRFILTER

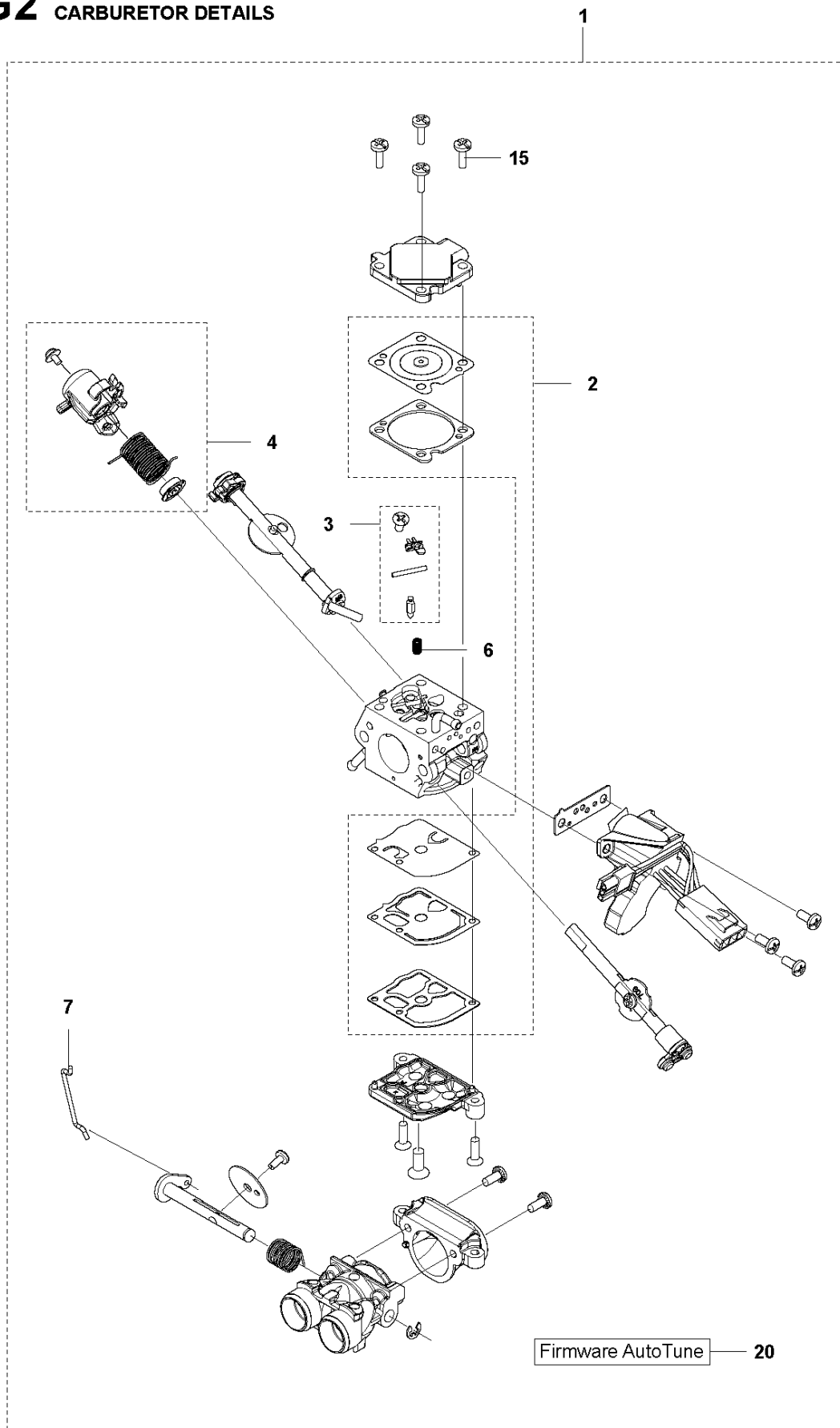


CARBURETOR & AIR FILTER

572 XP/XPG

Ref	Part No	Description	Remark	QTY	KIT
1	575 52 66-01	AIR FILTER ASSY	HD Non Woven	1	
1	575 52 66-02	AIR FILTER ASSY	HD 25 microns	1	
1	575 52 66-03	AIR FILTER ASSY	HD 64 microns	1	
2	577 41 90-05	INLET ELBOW	Std	1	
2	577 41 90-06	INLET ELBOW	Heated	1	
3	731 23 14-01	HEXAGON NUT		1	2
4	525 61 92-01	SEALING		1	2
5	525 61 90-01	SEALING		1	2
6	577 53 64-02	WIRING ASSY		1	2
7	510 01 72-02	CHOKE CONTROL ASSY		1	2
8	505 15 62-01	SCREW		1	2
9	589 37 84-01	SEALING		1	2
10	523 05 68-01	FUEL HOSE		1	
11	525 34 43-03	FUEL HOSE		1	
12	581 14 31-01	SCREW ITXSCFM		2	
13	525 58 81-01	SEALING		1	
14	505 16 52-02	FLANGE		1	
15	503 22 65-03	SQUARE NUT		2	14
16	501 18 20-01	BAFFLE		1	
17	575 23 53-01	INLET PIPE	Std	1	
17	575 23 53-02	INLET PIPE	Winter	1	
18	526 81 81-01	SCREW ITXSCM		4	
19	591 15 83-01	CARBURETTOR KIT	C1M-140054E	1	
20	582 17 95-01	SEALING		1	
21	590 05 95-01	SEALING		1	
22	537 21 32-05	KNOB		1	
23	589 34 07-01	CONTACT CLAMP		1	
24	589 34 06-01	RETAINER		1	
25	582 02 51-01	SUPPORT SLEEVE		1	
26	503 93 66-01	PURGE		1	

G2 572 XP
CARBURETOR DETAILS

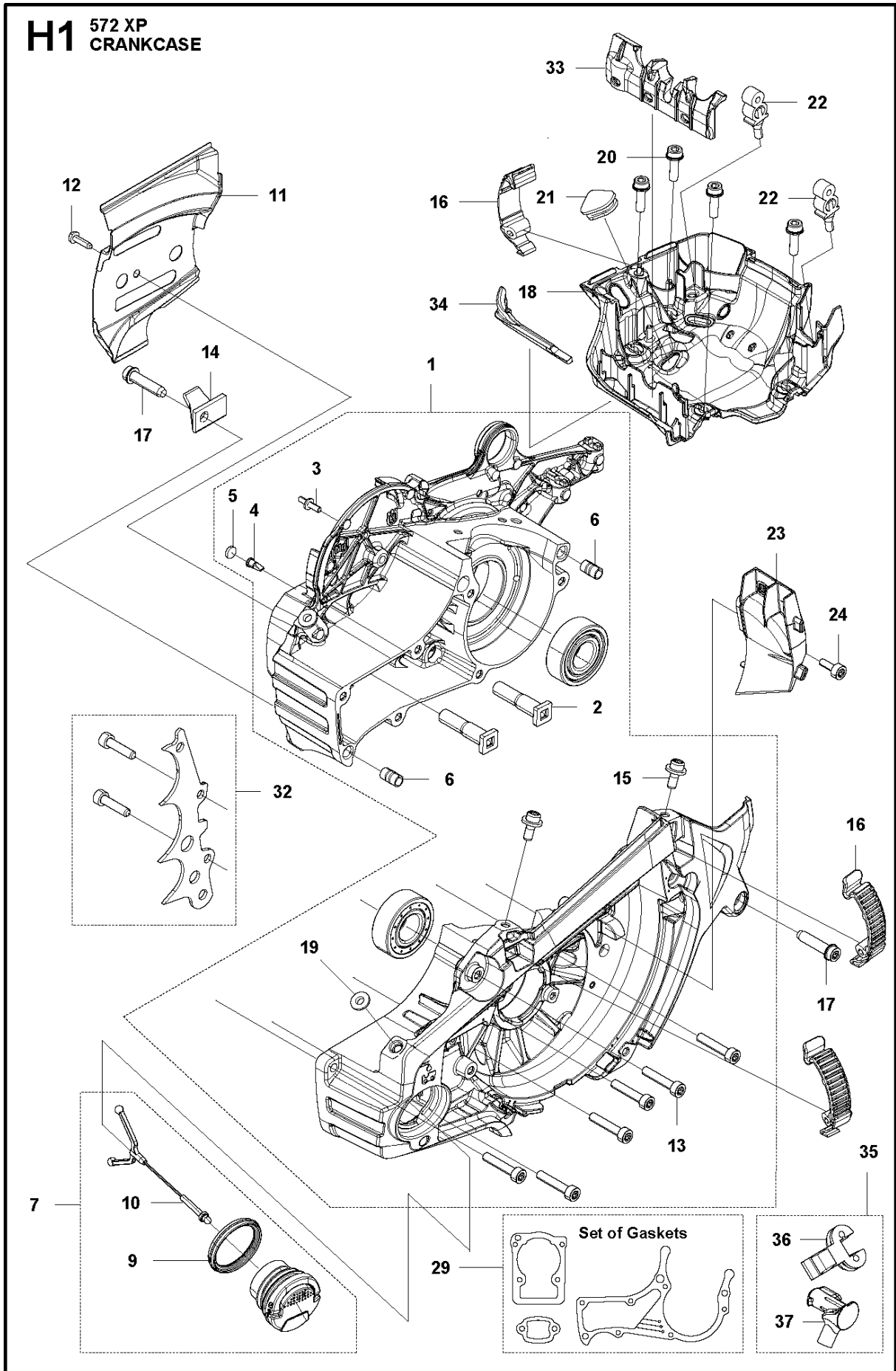


CARBURETOR DETAILS

572 XP/XPG

Ref	Part No	Description	Remark	QTY	KIT
1	591 15 83-01	CARBURETTOR KIT	C1M-140054E	1	
2	522 51 89-01	KIT	GASKET KIT	1	1
3	590 19 15-01	CARBURETTOR	Metering Kit	1	1
4	590 19 16-01	CARBURETTOR	Throttle Lever Kit	1	1
6	537 38 34-01	SPRING		1	1
7	522 51 79-01	ROD		1	1
15	522 54 51-01	SCREW		4	
20	-	TBD	Download from your local support site	1	

H1 572 XP CRANKCASE

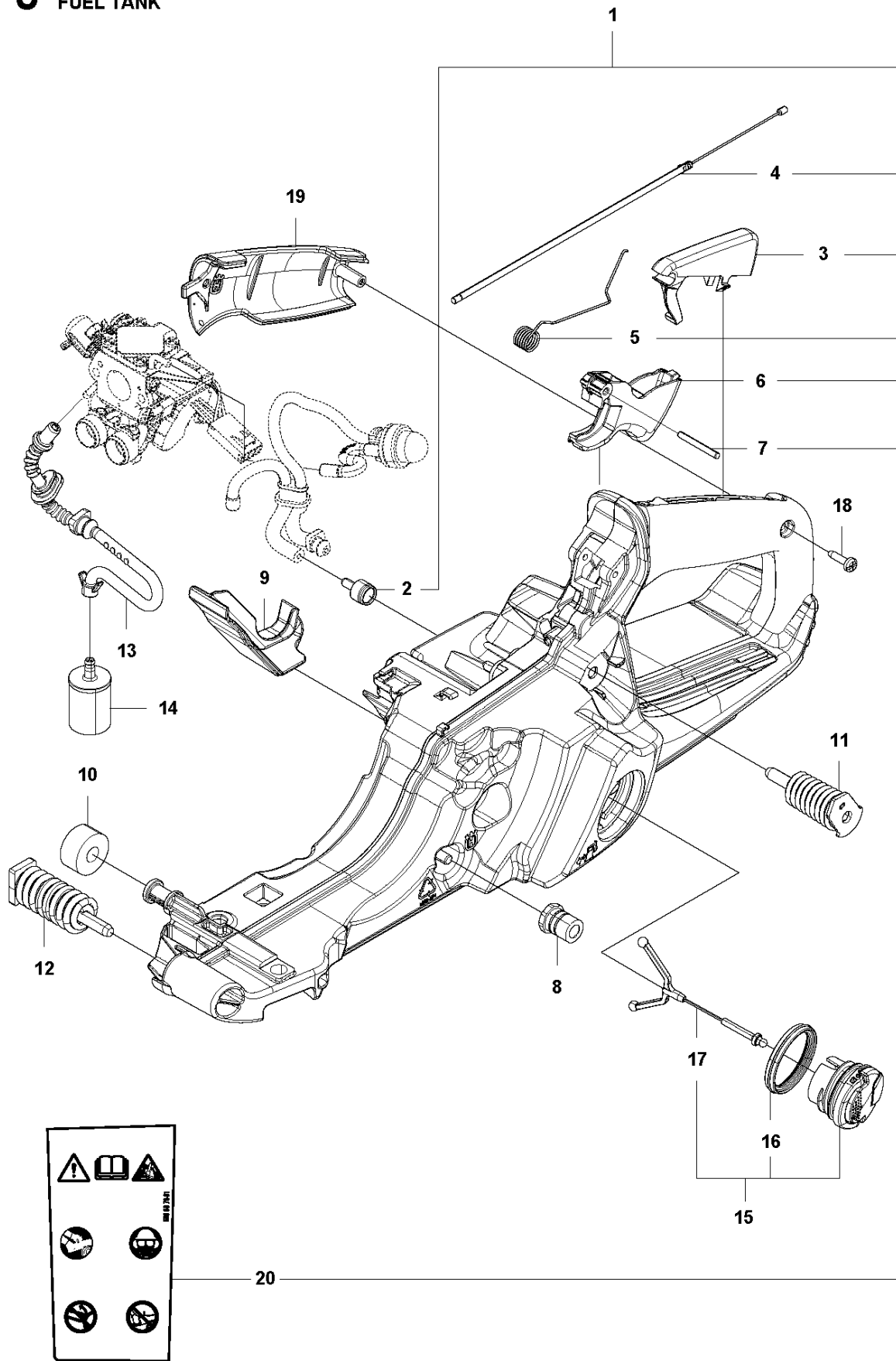


CRANKCASE

572 XP/XPG

Ref	Part No	Description	Remark	QTY	KIT
1	590 19 56-03	CRANKCASE ASSY	572	1	
2	537 05 13-01	BAR BOLT		2	1
3	537 20 30-01	PIN KNEE-JOINT		1	1
4	530 02 61-19	CHECK VALVE		1	1
5	537 40 35-01	FILTER		1	1
6	593 80 60-01	GUIDE BUSHING		2	1
7	522 62 00-03	TANK CAP ASSY		1	
9	589 24 11-01	GASKET		1	7
10	503 57 89-01	HOLDER		1	7
11	575 61 63-01	CHAIN GUIDE PLATE		1	
12	526 22 18-01	SCREW CITXPANT		1	
13	575 84 11-04	SCREW ITXSCM		6	
14	537 37 79-02	CHAIN CATCHER		1	
15	525 82 44-01	SCREW ITXSCM		2	
16	503 89 47-03	SNAP LOCKING		3	
17	525 79 81-03	SCREW ITXSCFT		2	
18	582 17 93-01	CARBURETTOR AREA BASE		1	
19	583 09 84-01	FIXING WASHER		1	1
20	525 75 52-02	SCREW ITXSCFM		4	
21	581 55 92-01	BELLOWS		1	
22	503 86 93-01	SUPPORT	Mounting	2	
23	589 34 05-02	AIR NOZZLE		1	
24	574 35 35-05	SCREW ITXSCM		1	
29	578 86 47-01	GASKET KIT		1	
32	590 26 10-02	SPIKE	Kit - Inner Std	1	
33	582 17 96-01	SEALING		1	
34	589 34 90-01	SEALING		1	
35	590 26 11-01	GROMMET		1	
36	582 15 71-01	GROMMET		1	35
37	589 52 77-01	GROMMET		1	35

J 572 XP
FUEL TANK

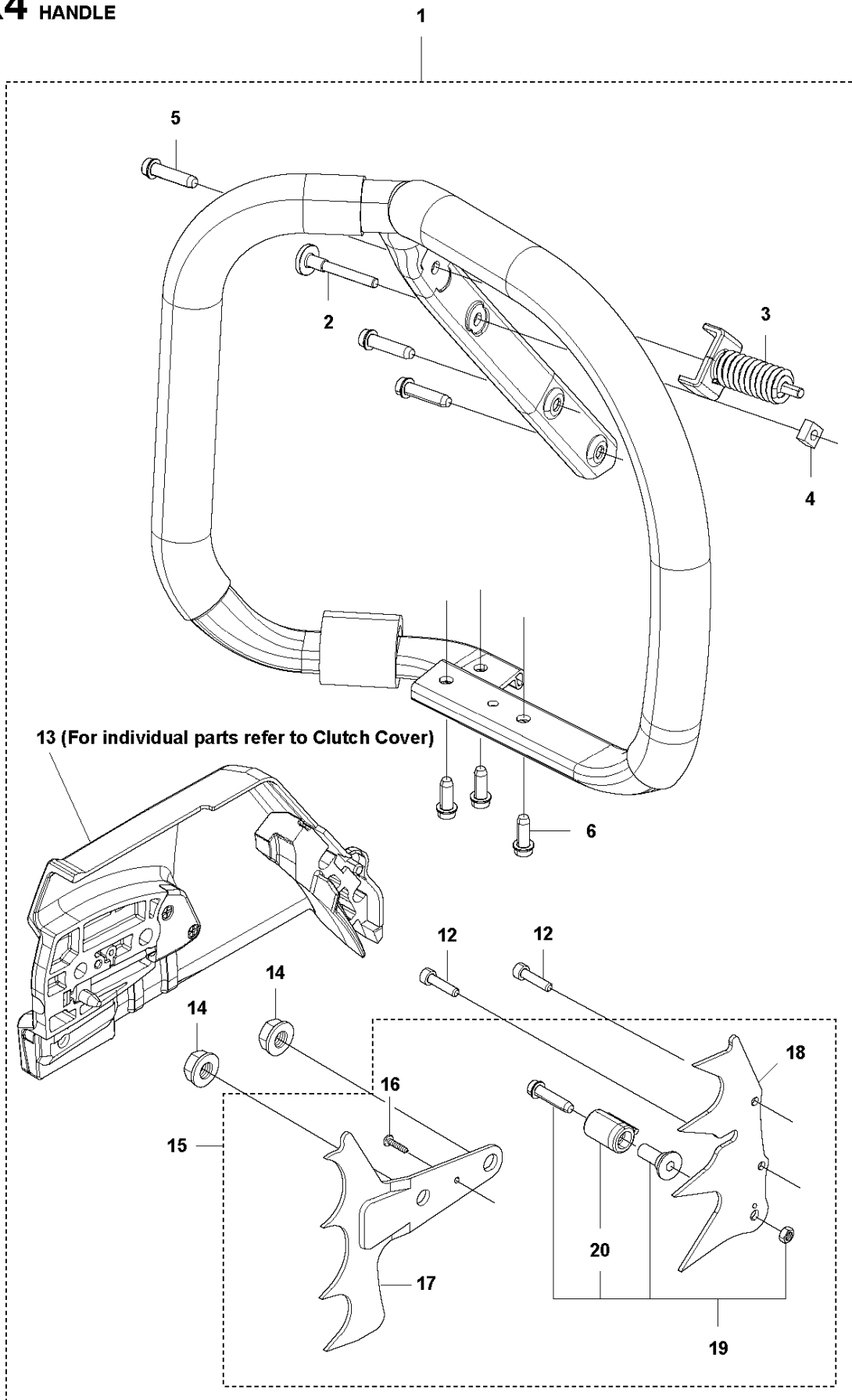


FUEL TANK

572 XP/XPG

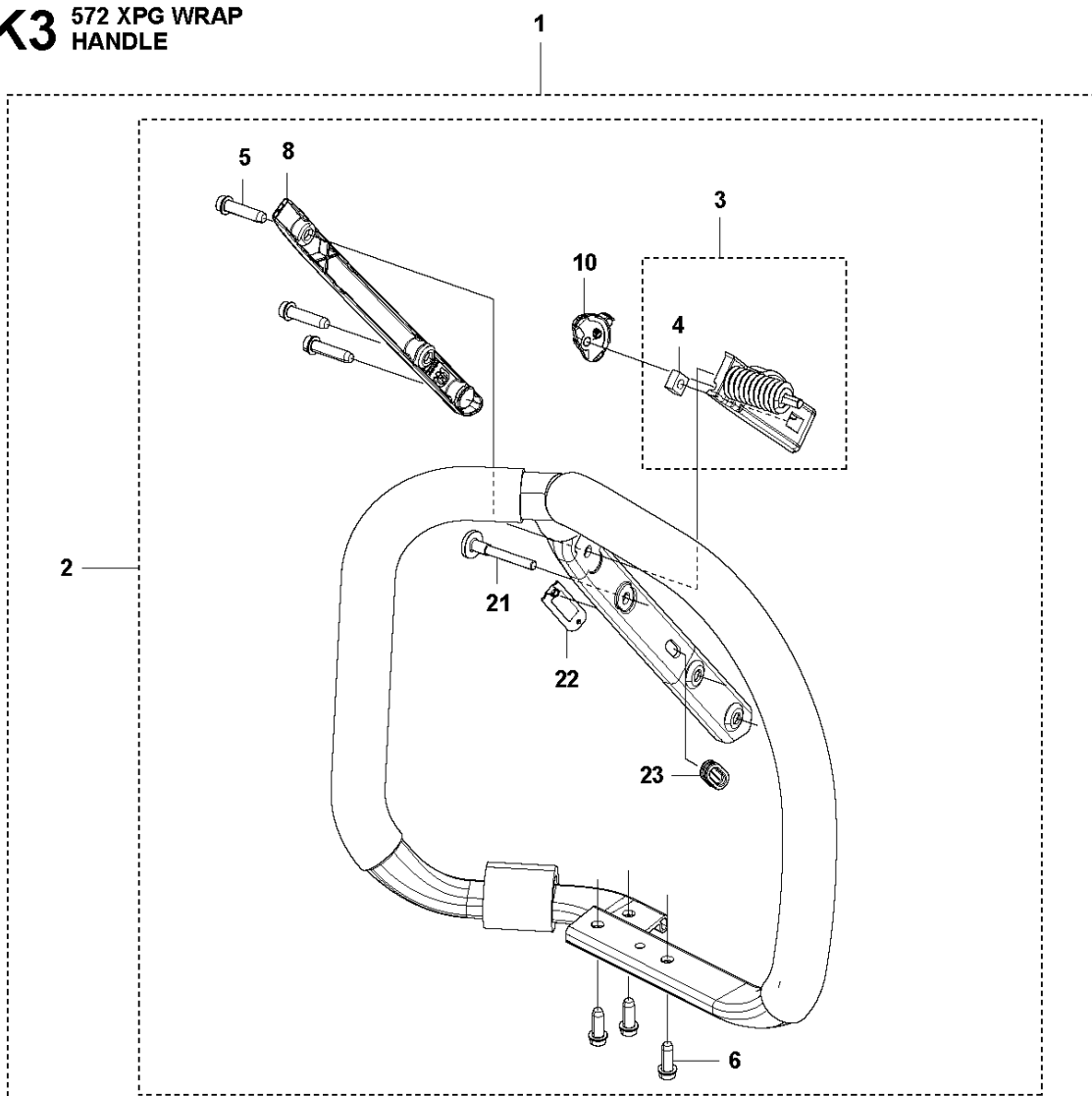
Ref	Part No	Description	Remark	QTY	KIT
1	578 20 07-01	FUEL TANK ASSY		1	
2	501 15 29-01	TANK VENT ASSY		1	1
3	537 20 84-01	THROTTLE LOCKOUT		1	1
4	576 16 28-02	THROTTLE CABLE ASSY		1	1
5	544 09 99-01	SPRING		1	1
6	576 95 67-01	THROTTLE		1	1
7	720 18 25-20	PARALLEL PIN		1	1
8	501 00 76-01	SUPPORT		1	
9	575 01 02-01	WEAR PROTECTION		1	
10	523 08 55-01	DEFLECTION LIMITER		1	
11	577 06 27-02	ANTIVIBRATION ELEMENT		1	
11	577 06 27-01	ANTIVIBRATION ELEMENT	Hard	1	
12	503 85 41-04	ANTIVIBRATION ELEMENT		1	
12	503 85 41-03	ANTIVIBRATION ELEMENT	Hard	1	
13	577 50 41-01	FUEL HOSE		1	
14	503 44 32-01	FUEL FILTER		1	
15	522 62 00-03	TANK CAP ASSY		1	
16	589 24 11-01	GASKET		1	15
17	503 57 89-01	HOLDER		1	15
18	525 88 74-02	SCREW CITXPANT		1	
19	537 20 56-01	COVER	H572 XP	1	
19	589 69 89-01	HANDLE INSERT	H572 XPG	1	
20	590 56 70-01	DECAL		1	1

K4 572 XP WRAP
HANDLE

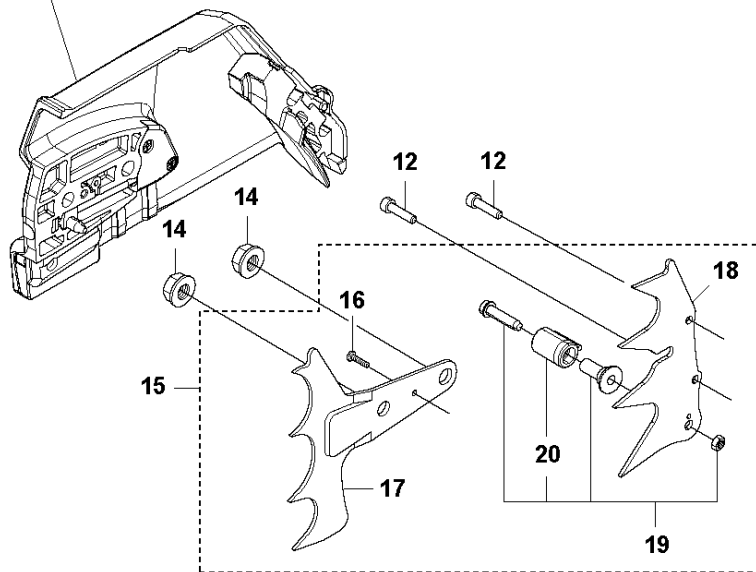


Ref	Part No	Description	Remark	QTY	KIT
1	579 50 40-01	FRONT HANDLE ASSY		1	
2	504 06 45-01	SCREW ITXPANM		1	1
3	575 01 53-01	ANTIVIBRATION ELEMENT			1
3	575 01 53-03	ANTIVIBRATION ELEMENT	Hard	1	
4	503 22 66-01	SQUARE NUT		1	1
5	525 79 81-03	SCREW ITXSCFT		3	1
6	525 75 51-01	SCREW ITXSCFM		3	1
12	525 82 49-02	SCREW ITXSCM		2	1
13	537 33 10-05	CLUTCH COVER ASSY		1	1
14	503 22 00-01	HEXAGON NUT		2	1
15	589 77 21-01	SPIKE		1	1
16	526 22 18-01	SCREW CITXPANT		1	15
17	503 92 27-01	SPIKE		1	15
18	537 01 72-01	SPIKE		1	15
19	589 77 13-01	CHAIN CATCHER		1	15
20	537 02 44-01	WEAR PROTECTION		1	19

K3 572 XPG WRAP
HANDLE

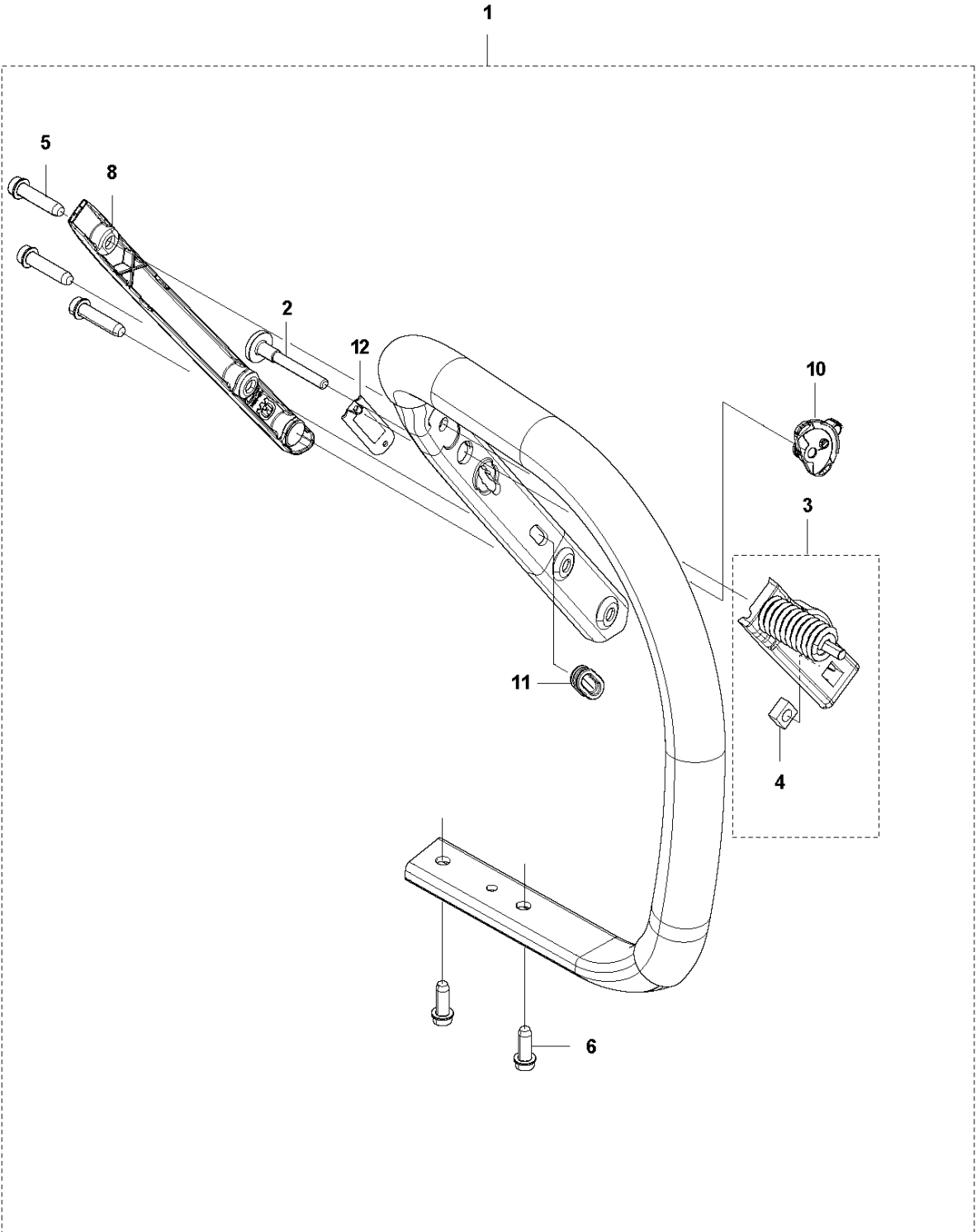


13 (For individual parts refer to Clutch Cover)



Ref	Part No	Description	Remark	QTY	KIT
1	579 50 40-03	FRONT HANDLE ASSY	Wrap	1	
2	579 50 40-02	FRONT HANDLE ASSY		1	1
3	589 69 91-01	ANTIVIBRATION ELEMENT		1	2
3	589 69 91-02	ANTIVIBRATION ELEMENT	Hard	1	
4	503 22 66-01	SQUARE NUT		1	3
5	525 79 81-03	SCREW ITXSCFT		3	2
6	525 75 51-01	SCREW ITXSCFM		3	2
8	582 65 42-01	COVER		1	2
10	537 25 25-01	CONTACT PLATE		1	2
12	525 82 49-02	SCREW ITXSCM		1	1
13	537 33 10-05	CLUTCH COVER ASSY		1	1
14	503 22 00-01	HEXAGON NUT		1	1
15	589 77 21-01	SPIKE		1	1
16	525 88 74-02	SCREW CITXPANT		1	15
17	503 92 27-01	SPIKE		1	15
18	537 01 72-01	SPIKE		1	15
19	589 77 13-01	CHAIN CATCHER		1	15
20	537 02 44-01	WEAR PROTECTION		1	19
21	504 06 45-01	SCREW ITXPANM		1	2
22	590 46 91-01	PROTECTION		1	2
23	537 08 83-01	GROMMET		1	2

K2 572 XPG
HANDLE

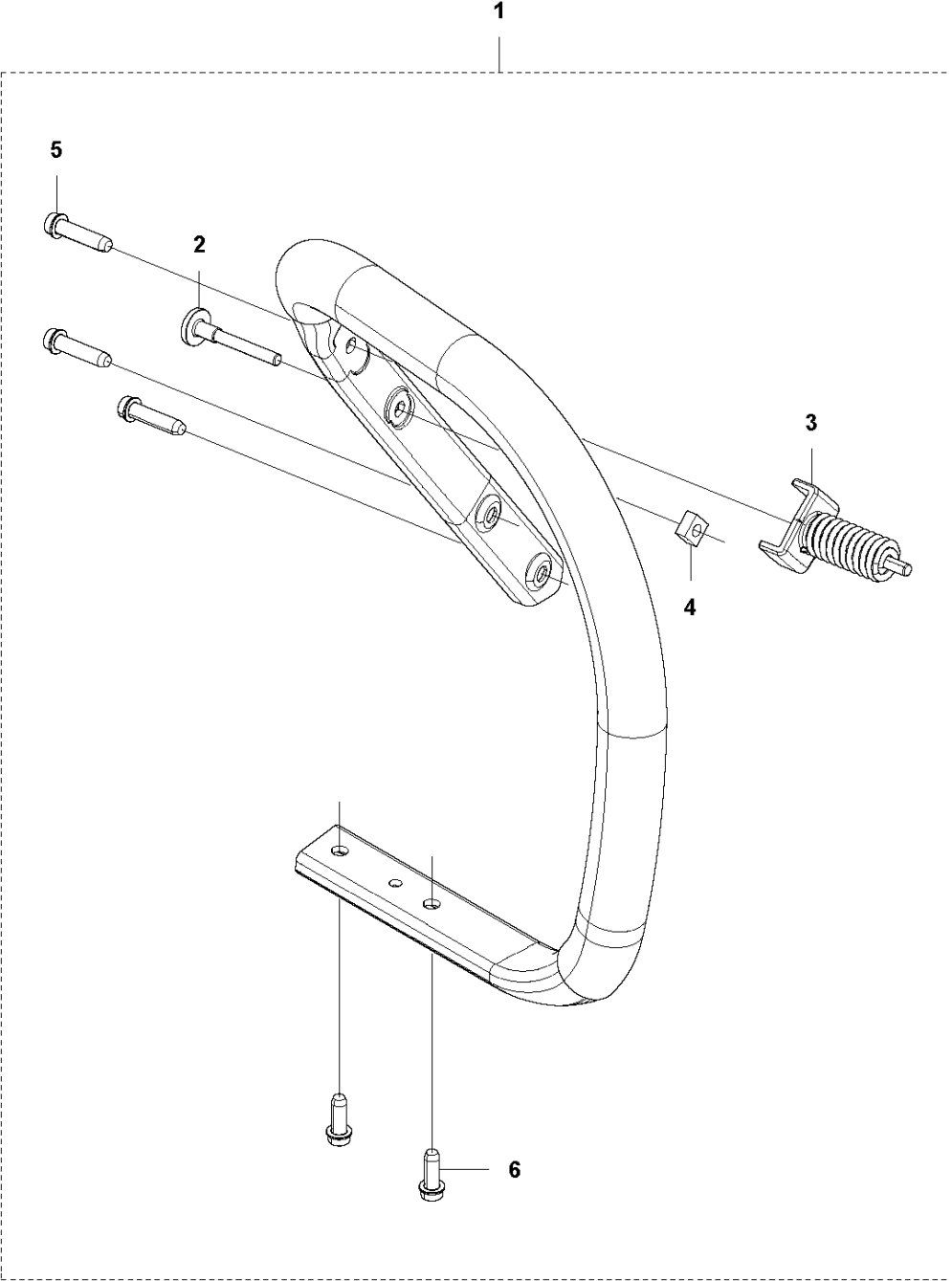


HANDLE

572 XP/XPG

Ref	Part No	Description	Remark	QTY KIT	
1	579 48 43-02	FRONT HANDLE ASSY		1	
2	504 06 45-01	SCREW ITXPANM		1	1
3	589 69 91-01	ANTIVIBRATION ELEMENT		1	1
3	589 69 91-02	ANTIVIBRATION ELEMENT	Hard	1	
4	503 22 66-01	SQUARE NUT		1	1,3
5	525 79 81-03	SCREW ITXSCFT		3	1
6	525 75 51-01	SCREW ITXSCFM		2	1
8	582 65 42-01	COVER		1	1
10	537 25 25-01	CONTACT PLATE		1	1
11	537 08 83-01	GROMMET		1	1
12	590 46 91-01	PROTECTION		1	1

K1 572 XP
HANDLE

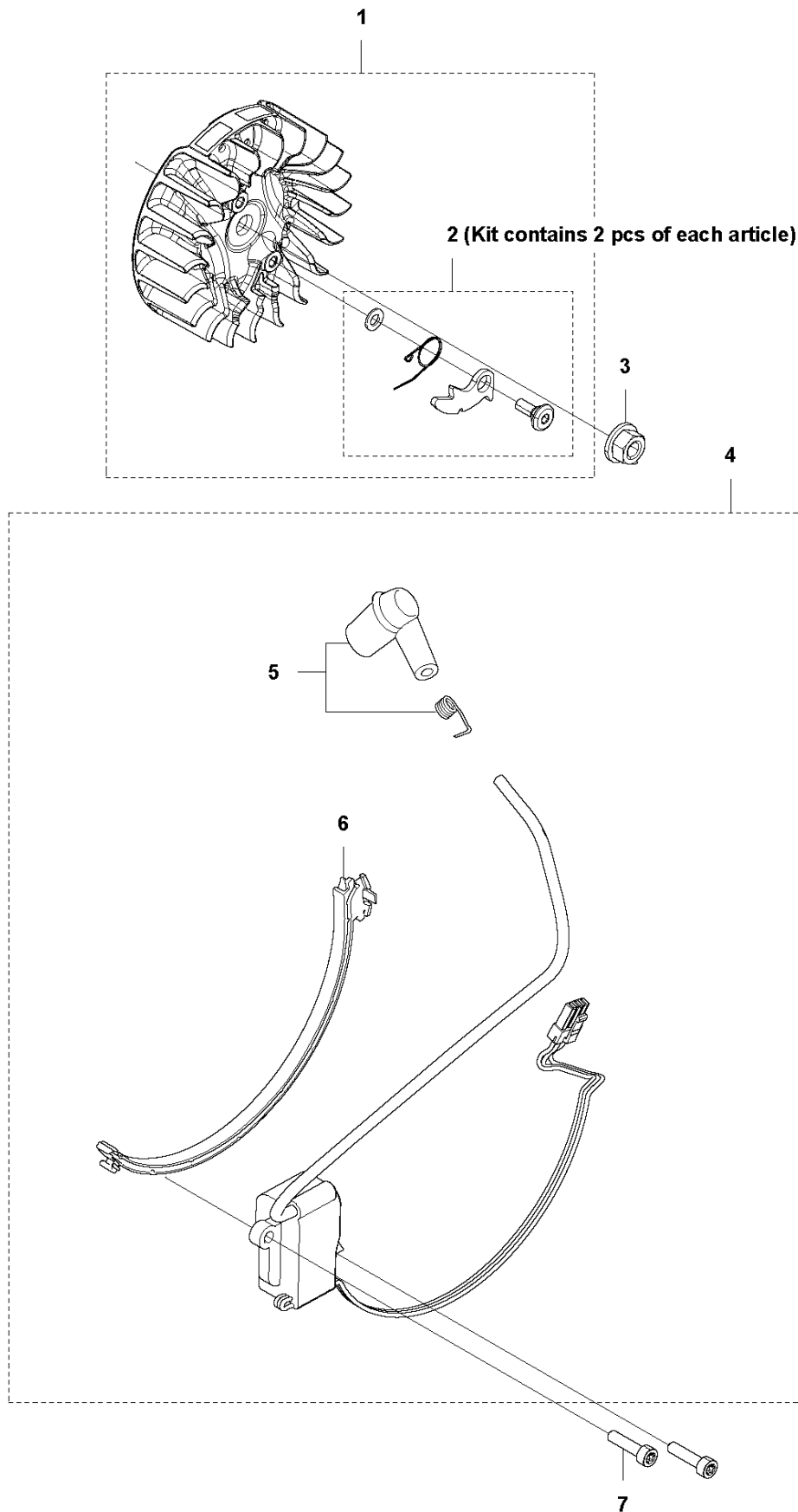


HANDLE

572 XP/XPG

Ref	Part No	Description	Remark	QTY	KIT
1	579 48 43-01	FRONT HANDLE ASSY		1	
2	504 06 45-01	SCREW ITXPANM		1	1
3	575 01 53-01	ANTIVIBRATION ELEMENT		1	1
3	575 01 53-03	ANTIVIBRATION ELEMENT	Hard		
4	503 22 66-01	SQUARE NUT		1	1
5	525 79 81-03	SCREW ITXSCFT		3	1
6	525 75 51-01	SCREW ITXSCFM		2	1

L 572 XP
IGNITION SYSTEM

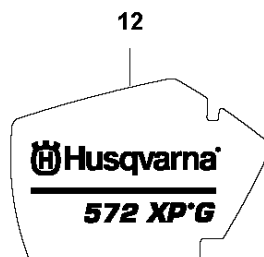
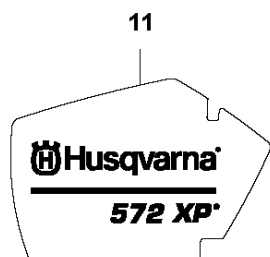
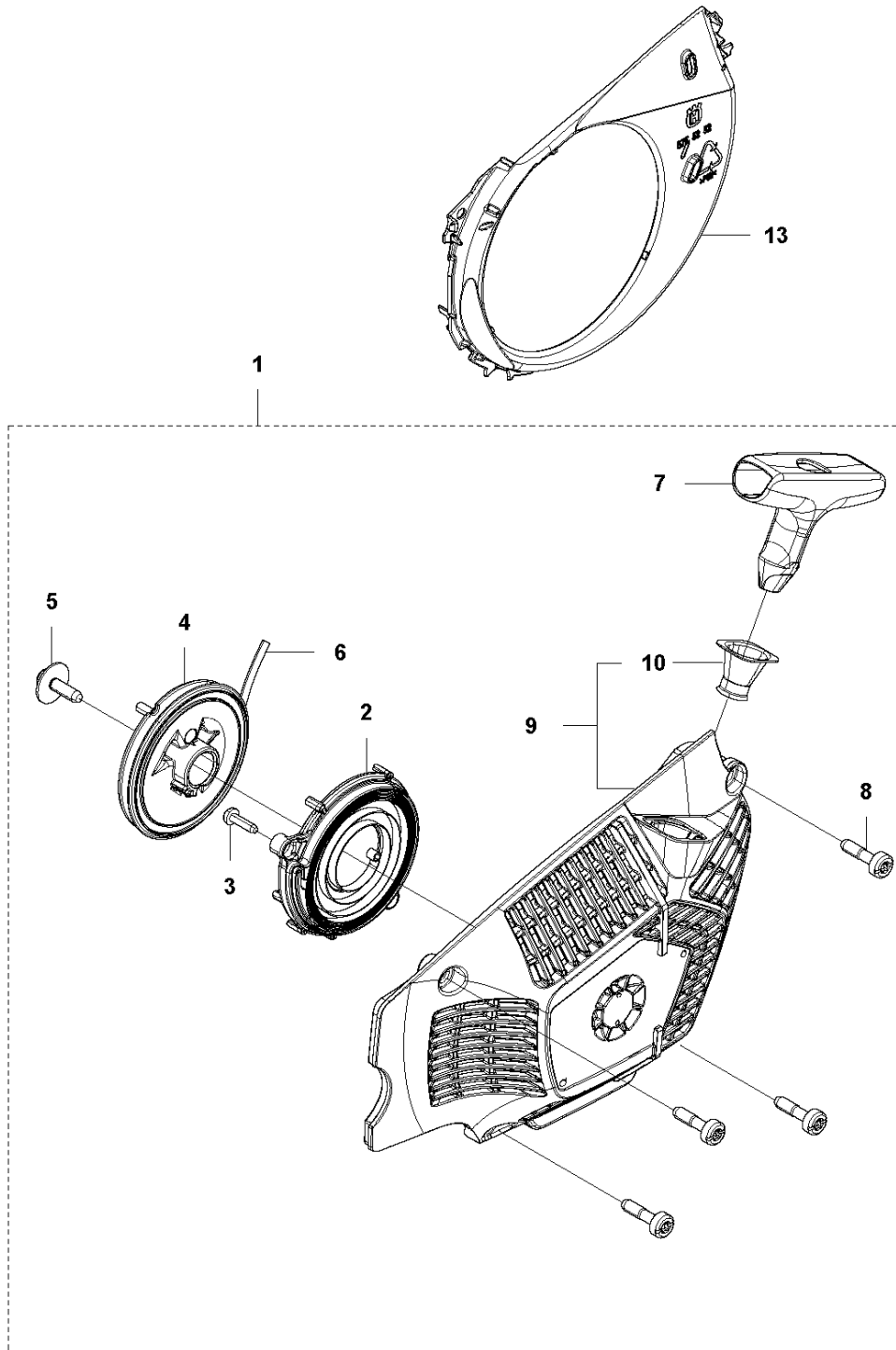


IGNITION SYSTEM

572 XP/XPG

Ref	Part No	Description	Remark	QTY	KIT
1	590 28 12-01	FLYWHEEL ASSY	H572 XP	1	
1	590 28 12-02	FLYWHEEL ASSY	H572 XPG	1	
2	590 28 13-01	PAWL	Kit	1	1
3	503 22 04-01	NUT		1	
4	588 19 31-01	IGNITION MODULE ASSY		1	
5	590 29 88-01	SPARK PLUG CAP		1	4
6	579 45 18-01	WIRE HOLDER		1	4
7	525 82 49-02	SCREW ITXSCM		2	

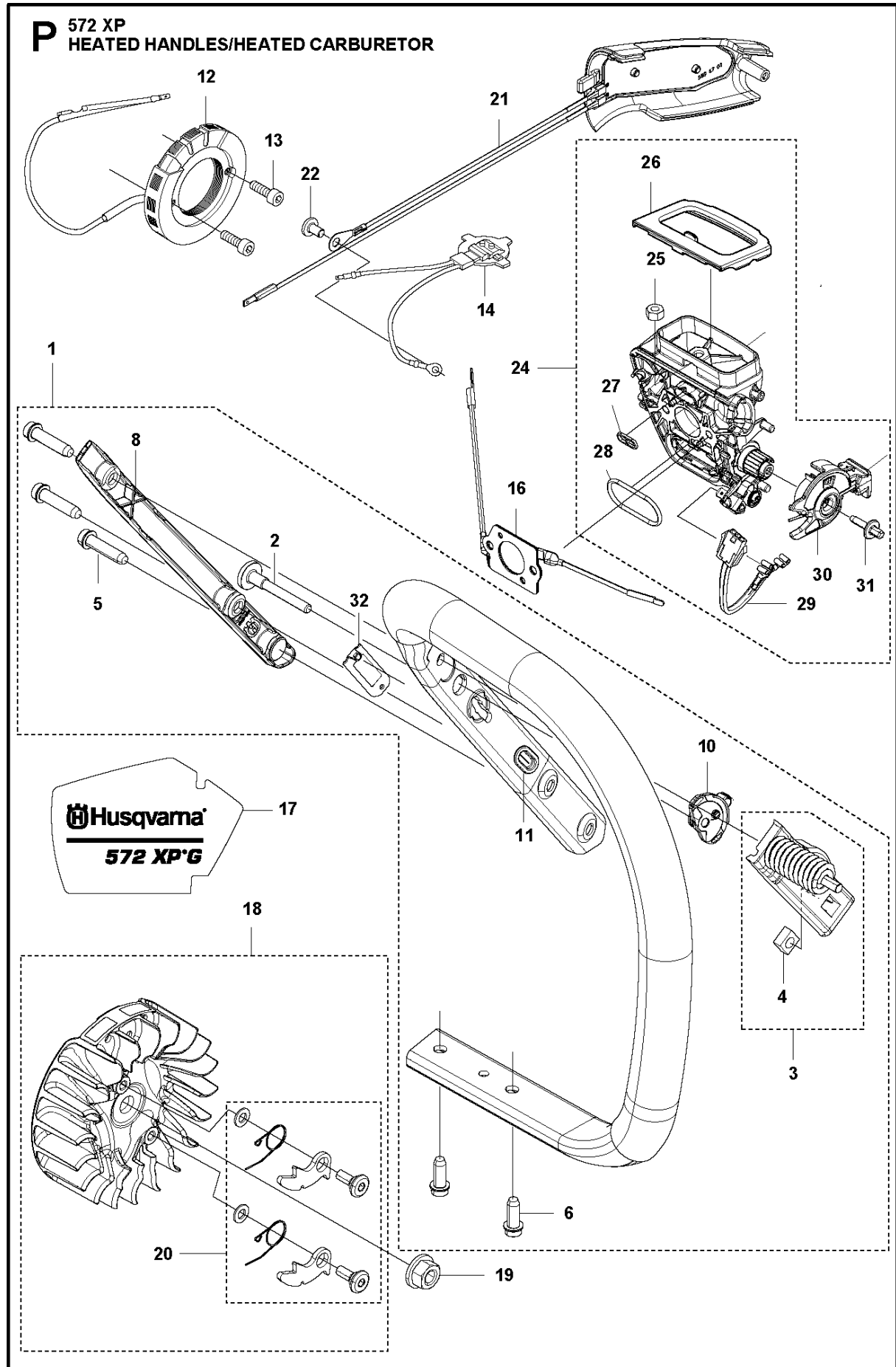
M 572 XP
STARTER



STARTER

572 XP/XPG

Ref	Part No	Description	Remark	QTY	KIT
1	575 52 76-02	STARTER HOUSING		1	
2	505 15 79-02	SPRING CASSETTE ASSY		1	1
3	525 88 74-01	SCREW CITXPANT		2	1
4	505 15 81-01	STARTER PULLEY ASSY		1	1
5	576 35 66-01	SCREW ITXSCT		1	1
6	505 30 51-25	STARTER CORD		1	1
7	537 23 25-01	STARTER HANDLE		1	1
8	525 82 45-01	SCREW CITXPANMO		4	1
9	575 52 58-01	STARTER HOUSING		1	1
10	537 28 32-01	REINFORCEMENT SLEEVE		1	1
11	575 39 64-01	DECAL	H572 XP	1	
12	575 39 64-02	DECAL	H572 XPG	1	
13	575 52 52-01	BAFFLE		1	

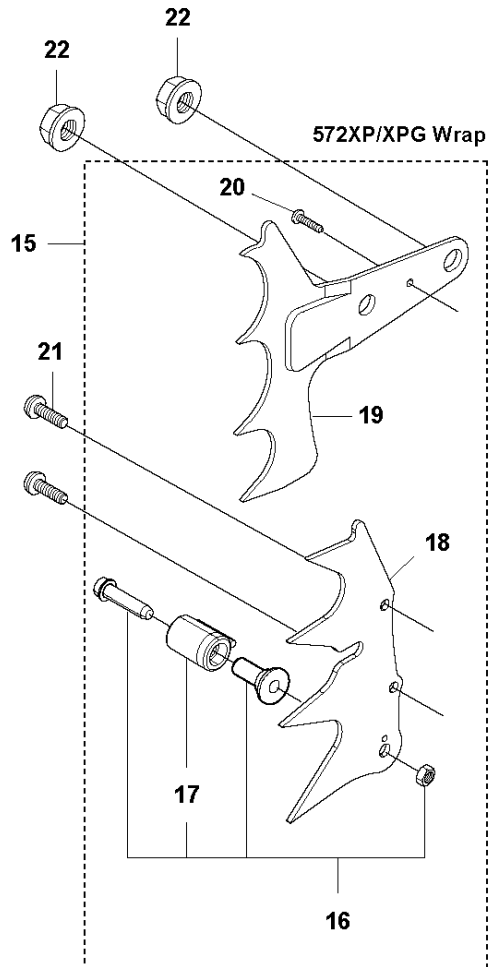
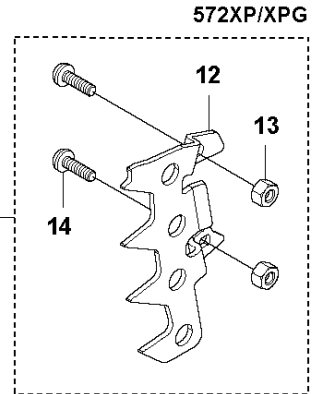
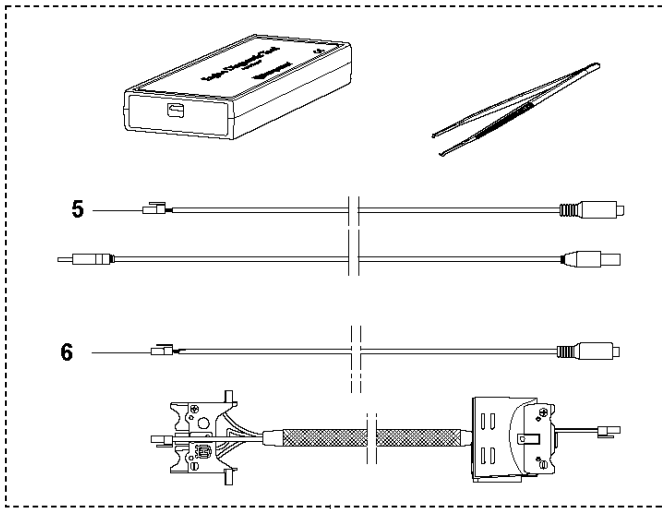
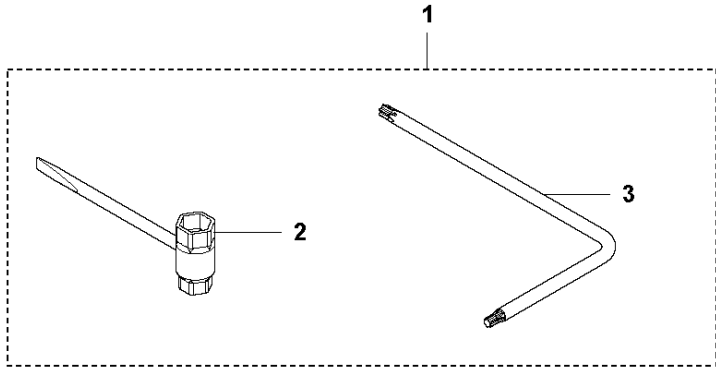


HEATED HANDLES

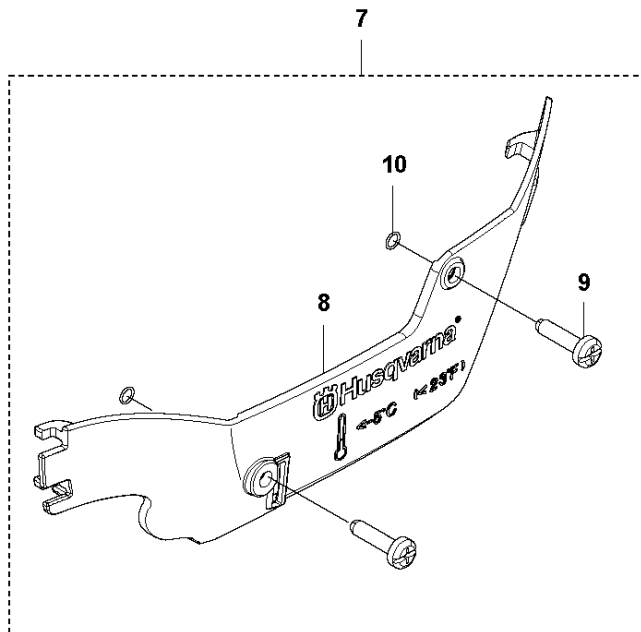
572 XP/XPG

Ref	Part No	Description	Remark	QTY	KIT
1	579 48 43-02	FRONT HANDLE ASSY		1	
2	504 06 45-01	SCREW ITXPANM		1	1
3	589 69 91-01	ANTIVIBRATION ELEMENT		1	
3	589 69 91-02	ANTIVIBRATION ELEMENT	Hard	1	
4	503 22 66-01	SQUARE NUT		1	3
5	525 79 81-03	SCREW ITXSCFT		3	1
6	525 75 51-01	SCREW ITXSCFM		2	1
8	582 65 42-01	COVER		1	1
10	537 25 25-01	CONTACT PLATE		1	
11	537 08 83-01	GROMMET		1	1
12	590 68 81-01	GENERATOR STATOR		1	
13	526 81 81-02	SCREW ITXSCM		2	
14	590 68 83-01	THERMOSTAT ASSY		1	
16	588 16 86-01	FOIL ELEMENT		1	
17	575 39 64-02	DECAL		1	
18	590 28 12-02	FLYWHEEL ASSY		1	
19	503 22 04-01	NUT		1	
20	590 28 13-01	PAWL		1	
21	589 69 89-01	HANDLE INSERT		1	
22	526 22 18-01	SCREW CITXPANT		1	
24	577 41 90-06	INLET ELBOW	Heated	1	
25	731 23 14-01	HEXAGON NUT		1	24
26	589 37 84-01	SEALING		1	24
27	525 61 92-01	SEALING		1	24
28	525 61 90-01	SEALING		1	24
29	577 53 64-02	WIRING ASSY		1	24
30	510 01 72-02	CHOKE CONTROL ASSY		1	24
31	505 15 62-01	SCREW		1	24
32	590 46 91-01	PROTECTION		1	1

Q 572 XP
ACCESSORIES



WINTER KIT 572XP



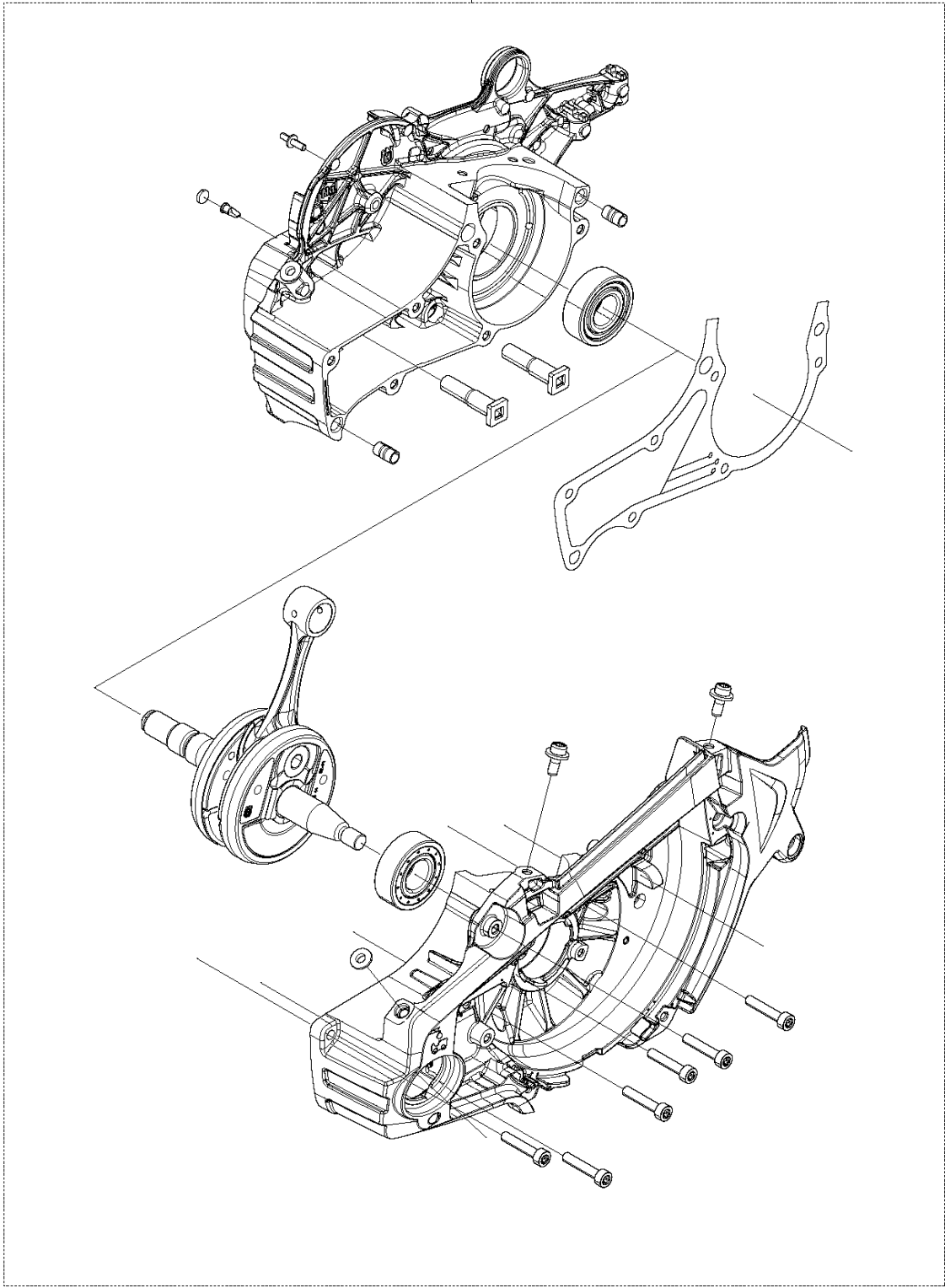
ACCESSORIES

572 XP/XPG

Ref	Part No	Description	Remark	QTY	KIT
1	503 55 85-13	TOOL		1	
2	501 69 17-01	COMBINATION WRENCH		1	1
3	575 88 07-01	WRENCH		1	1
4	583 89 71-01	DIAGNOSTIC TOOL KIT		1	
5	576 18 34-01	CABLE ASSY		1	4
6	576 95 22-01	CABLE ASSY		1	4
7	575 52 75-01	WINTER KIT		1	
8	576 16 26-01	WINTER COVER		1	7
9	503 21 70-16	SCREW CCRPANT		2	7
10	740 42 01-00	O-RING		2	7
11	590 26 10-01	SPIKE	Outer, std	1	
12	575 23 65-01	SPIKE		1	11
13	503 22 24-01	LOCK NUT		2	11
14	525 75 52-02	SCREW ITXSCFM		2	11
15	589 77 21-01	SPIKE	Wrap	1	
16	589 77 13-01	CHAIN CATCHER		1	15
17	537 02 44-01	WEAR PROTECTION		1	16
18	537 01 72-01	SPIKE		1	15
19	503 92 27-01	SPIKE		1	15
20	525 88 74-02	SCREW CITXPANT		1	15
21	525 82 49-02	SCREW ITXSCM		2	
22	503 22 00-01	HEXAGON NUT		2	

H2 572 XP CRANKCASE SHORT BLOCK

1



SHORT BLOCK

572 XP/XPG

Ref	Part No	Description	Remark	QTY KIT
1	582 75 20-03	SHORT BLOCK		1

Illustrated Parts List - IPL Update



Product Name(s)

572XP/XPG

Description of change

New reinforced Clutch cover
Reason: Improved durability of Clutch cover.

New Knee joint kit with new brake spring(L=90)
Reason: It was wrong brake spring (L=78) in the old kit.

Comments

New articles CLUTCH COVER ASSY 575 23 59-07 and CLUTCH COVER 575 23 63-03 are fully interchangeable.

Introduced from

Serial number / Date	Remark
20191800001	CLUTCH COVER ASSY 575 23 59-07
20191800001	CLUTCH COVER 575 23 63-03

IPL updates

Page Title	Ref. No	New part no	Name	Excl. part no.	Remark
CLUTCH COVER	1	575 23 59-07	CLUTCH COVER ASSY	575 23 59-03	<i>New spare part</i>
	2	575 23 63-03	CLUTCH COVER	575 23 63-01	<i>New spare part</i>
CHAIN BRAKE	4	590 10 56-02	KNEE JOINT KIT	590 10 56-01	<i>New spare part</i>