

PRODUCT DATA SHEET

P/N: **1070**
JUMBO LOK



The Jumbo Lok is a large positive locking bracket with **FOUR** strap pivot positions providing an extensive grip range for a wide variety of tools and equipment.

TYPICAL SPECIFICATION

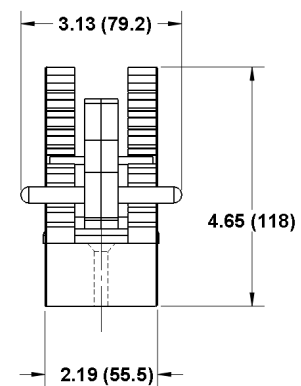
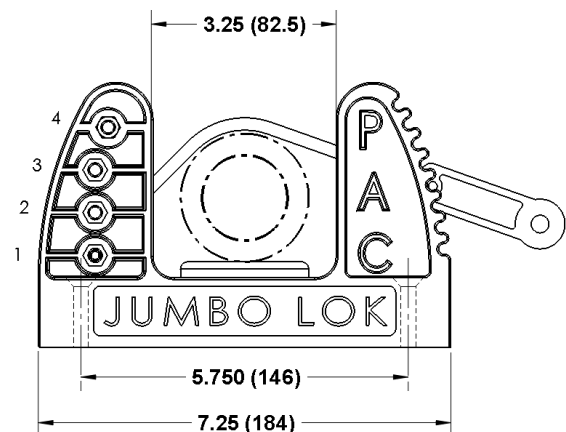
Mounting bracket shall be PAC PN 1070

Bracket shall be made from tough, corrosion free material. Hardware shall be stainless steel.

Strap shall have 4 or more pivot positions and users shall be protected from conductivity.

FEATURES

- Molded from high quality materials
- Soft textured pad for extra grip
- Weather, UV resistant
- Non-conductive
- Can be mounted horizontally or vertically
- Stainless Steel Fasteners provided
- Mounts to PAC tool boards and other flat surfaces
- Strap available in Yellow, Black and Orange



Dimensions: 7.3" L x 2.3" W x 4.6" H

SPECIFICATIONS

P/N	WT.	MAX LOAD	GRIP RANGE	FLAME TOXICITY CHEMICAL
1070	1.0 lbs	N/A	0.375"-3.25"	N/A



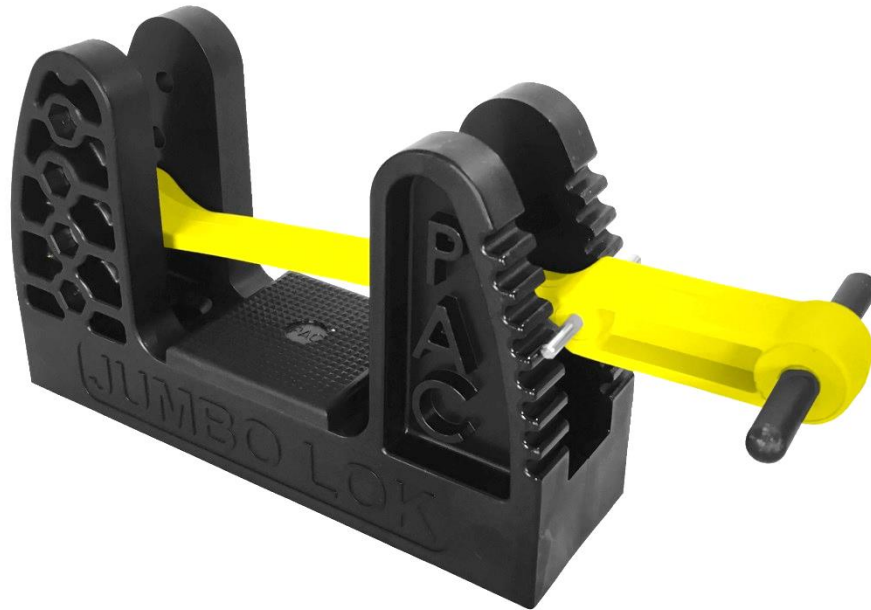
Performance Advantage Company

Lancaster, New York

www.pactoolmounts.com

888-514-0083

REFERENCE	QTY	REMARKS	PROJECT
			LOCATION
			BUYER
			DEALER
			BUILDER
			SUBMITTED BY: DATE:



The Jumbo Lok is a large positive locking bracket with **FOUR** strap pivot positions providing an extensive grip range for a wide variety of tools and equipment.

- Molded from high quality materials
- Soft textured pad for extra grip.
- Weather, UV resistant
- Non-conductive
- Can be mounted horizontally or vertically

