





HEAVY RESCUE TOOL MTG. KIT P/N K5035FL STD. INSTALLATION INSTRUCTIONS
FAST LOK

For additional assistance call 888-514-0083 between 8AM-5PM EST or email: info@pactoolmounts.com



CAUTION

To avoid the risk of personal injury, property damage or product damage, please use the included fasteners for mounting.

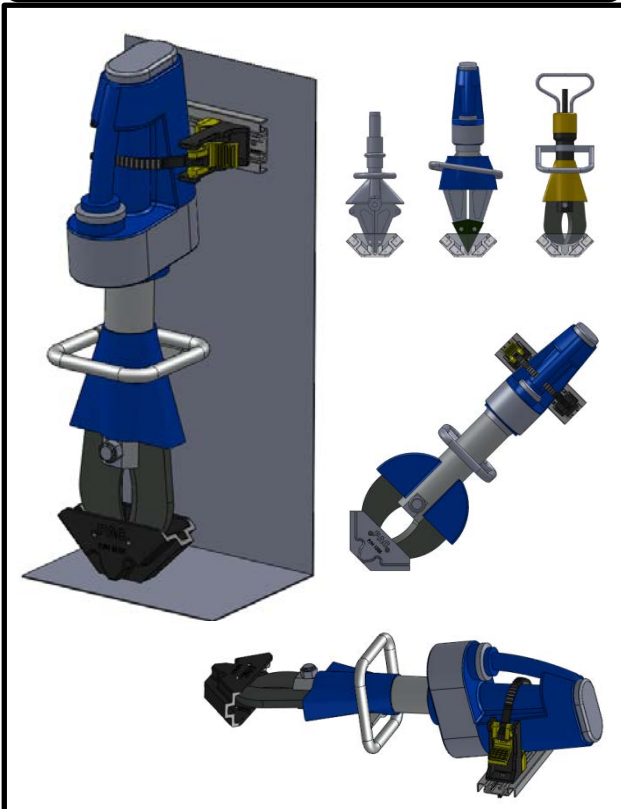
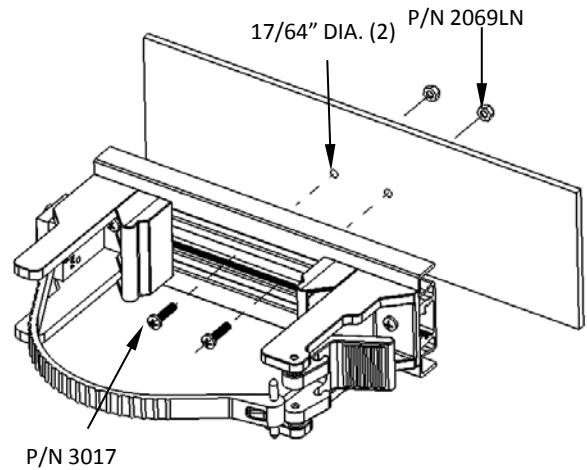
- * The bracket must be securely mounted to a stable surface and material.
- * When mounting bracket to PAC TRAC aluminum products **P/N 7000, P/N 7020, P/N 7040, P/N 7050** with the included Trac Lok inserts **P/N 7016**, torque the screws to a maximum 15 in-lbs.
- * PAC recommends regular and frequent inspections to be certain of proper operation and installation.

STANDARD MTG. HARDWARE PAC Fastener Packet P/N 7048	QTY
 P/N 3017 ¼-20 x 1 S.S. Pan Head Screw	2
 P/N 2069LN ¼-20 Nylon Locking Nut	2

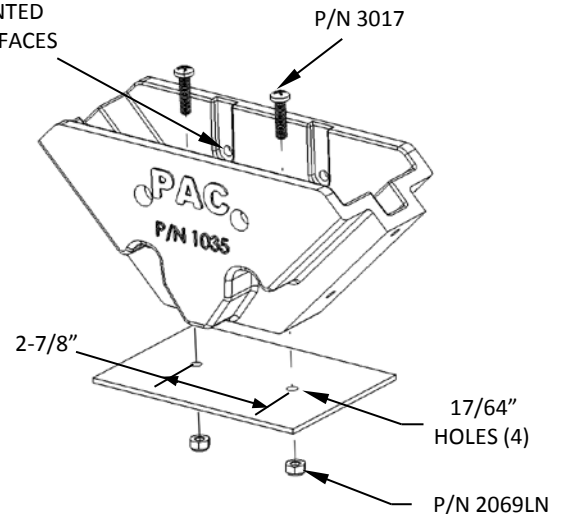
FAST LOK

STANDARD MTG. HARDWARE PAC Fastener Packet P/N 7049 (PARTIAL)	QTY
 P/N 3017 ¼-20 x 1 S.S. Pan Head Screw	2
 P/N 2069LN ¼-20 Nylon Locking Nut	2

BASE



CAN BE MOUNTED ON FOUR SURFACES







HEAVY RESCUE TOOL MTG. KIT P/N K5035FL P.T. INSTALLATION INSTRUCTIONS
FAST LOK

For additional assistance call 888-514-0083 between 8AM-5PM EST or email: info@pactoolmounts.com



CAUTION

To avoid the risk of personal injury, property damage or product damage, please use the included fasteners for mounting.

- * The bracket must be securely mounted to a stable surface and material.
- * When mounting bracket to PAC TRAC aluminum products **P/N 7000, P/N 7020, P/N 7040, P/N 7050** with the included Trac Lok inserts **P/N 7016**, torque the screws to a maximum 15 in-lbs.
- * PAC recommends regular and frequent inspections to be certain of proper operation and installation.

MTG. HARDWARE for PAC TRAC PAC Fastener Packet P/N 7003			QTY
	P/N 2049	#10-24 x 3/4 S.S. Pan Head Screw	4
	P/N 7016	Trac Lok Insert	4

FAST LOK

MTG. HARDWARE for PAC TRAC PAC Fastener Packet P/N 7049 (partial)			QTY
	P/N 2046	#10-24 x 1 S.S. Pan Head Screw	2
	P/N 7016	Trac Lok Insert	2

BASE

