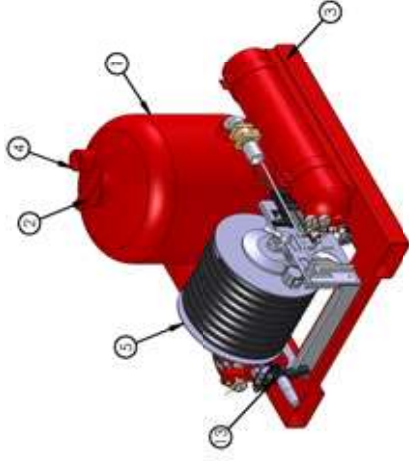
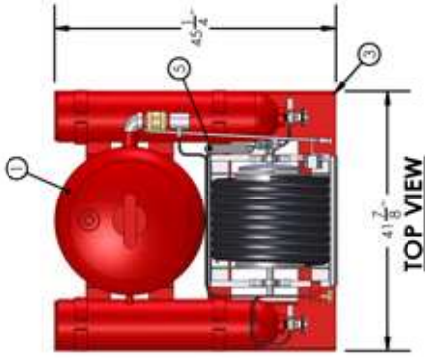


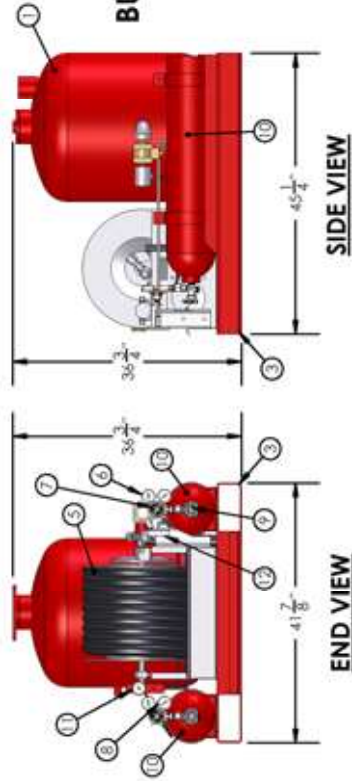


**BURNER**



ISOMETRIC VIEW

ISOMETRIC VIEW



**350 lb DRY CHEMICAL UNIT**  
**BURNER MODEL AF-DC-350-1HR**

Empty Weight - 552 lbs.

Full Weight - 902 lbs.

ITEM NO.	UNIT DESCRIPTION
1	A.S.M.E. CODE CYLINDER
2	4" FILL CAP
3	SKID ASSEMBLY
4	250 POP-OFF
5	HOSE REEL MANUAL REWIND W/ 100FT 1" HOSE
6	REGULATOR PRESSURE GAUGE
7	NITROGEN REGULATOR
8	HIGH PRESSURE GAUGE
9	NITROGEN CYLINDER VALVE
10	NITROGEN CYLINDER
11	EXTINGUISHER PRESSURE GAUGE
12	MANUAL CONTROL VALVE
13	SHUT OFF